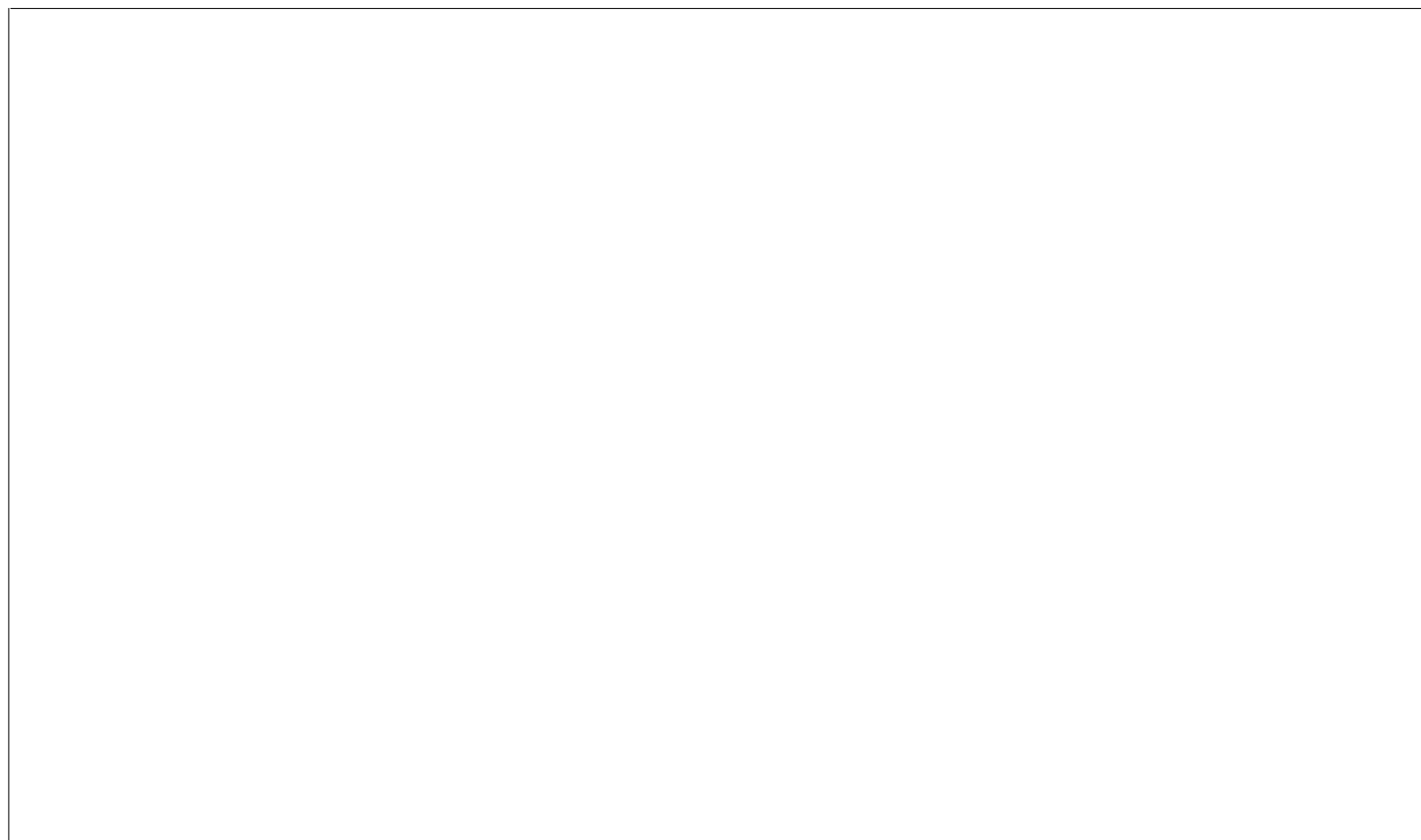


SIEMENS



ICs for Communications

Four Channel Codec Filter
SICOFI[®]-4

PEB 2465 Version 2.3

Data Sheet 02.97

T2465-XV23-D1-7600

Edition 02.97

This edition was realized using the software system FrameMaker®.

**Published by Siemens AG,
Bereich Halbleiter, Marketing-
Kommunikation, Balanstraße 73,
81541 München**

© Siemens AG 1997.
All Rights Reserved.

Attention please!

As far as patents or other rights of third parties are concerned, liability is only assumed for components, not for applications, processes and circuits implemented within components or assemblies.

The information describes the type of component and shall not be considered as assured characteristics.

Terms of delivery and rights to change design reserved.

For questions on technology, delivery and prices please contact the Semiconductor Group Offices in Germany or the Siemens Companies and Representatives worldwide (see address list).

Due to technical requirements components may contain dangerous substances. For information on the types in question please contact your nearest Siemens Office, Semiconductor Group.

Siemens AG is an approved CECC manufacturer.

Packing

Please use the recycling operators known to you. We can also help you – get in touch with your nearest sales office. By agreement we will take packing material back, if it is sorted. You must bear the costs of transport.

For packing material that is returned to us unsorted or which we are not obliged to accept, we shall have to invoice you for any costs incurred.

Components used in life-support devices or systems must be expressly authorized for such purpose!

Critical components¹ of the Semiconductor Group of Siemens AG, may only be used in life-support devices or systems² with the express written approval of the Semiconductor Group of Siemens AG.

- 1 A critical component is a component used in a life-support device or system whose failure can reasonably be expected to cause the failure of that life-support device or system, or to affect its safety or effectiveness of that device or system.
- 2 Life support devices or systems are intended (a) to be implanted in the human body, or (b) to support and/or maintain and sustain human life. If they fail, it is reasonable to assume that the health of the user may be endangered.

PEB 2465	
Revision History:	Current Version: 02.97
Previous Versions:	12.92; 10.93
Last Revision	Data Sheet 06.95
Page (in last revision)	Subjects (regarding, Data Sheet 06.95, for V2.1)
20	Default tone-generator frequencies changed to values implemented
21	Version was changed for version V2.*
21, 22, 23	Names of loops and 'CUT-OFFs' have been adjusted to figure on page 33
23	ALB-256 was removed from data sheet
23	Description of High-pass behavior added
24, 25	There is an individual coefficient set per channel also for FRX, FRR, IM-filters and tone-generators
31	A functional connection between two neighboring channels no longer exists
35, 37	Chapter about programmable filters and QSICOS included
38	Testconditions have been clarified
38	The guaranteed programming range was adjusted for Version 2.*
38	Absolute gain values, and IMD-values have been adjusted
41	Out of band signals at analog output: new figure
42	New Spec. Item: Out of Band Idle Channel Noise
45	Transhybrid loss at two additional frequencies
46	Power supply and operating current values have been corrected
47	Behavior of the RESET-pin
47	Input characteristics for digital pins has changed
48, 49	IOM-2 interface: timing clarified
62	Boundary Scan Identification number changed for Version V2
62, 63, 64	Description of Level Metering Function
67	Capacitance on V_{ref} -pins is changed to 220 nF
68	Board Layout Recommendations added
	Features which are not necessary/useful for customers have been taken out from the data-sheet: Fusing, digital block testing, additional test features

PEB 2465	
Revision History:	Current Version: 02.97
Previous Versions:	12.92; 10.93 Data Sheet 06.95 (for V2.1)
Last Revision	Data Sheet 07.96
Page (in current version)	Changed items, clarifications, supplements and updates (regarding Data Sheet 07.96)
3	Footnote added to the pins V_{DDA12} and V_{DDA34} , reference added to footnote for filter-capacitors
22	AX1 and AX2 exchanged, in figure "CUT OFFs" and Loops
23	Names of highpasses HPR and HPX updated
26	XOP command description updated
36	Figure in chapter "QSICOS" clarified
38	Test conditions updated
48	"Analog output load"-spec added
64	Figure updated (AX1 and AX2 exchanged)
66	Command description updated
69	Layout-figure updated

Table of Contents		Page
1	General Description	8
1.1	Features	9
1.2	Pin Configuration	10
1.3	Pin Definition and Functions	11
2	Functional Description	14
2.1	SICOFI [®] -4 Principles	14
2.2	IOM [®] -2 Interface	17
3	Programming the SICOFI[®]-4	21
3.1	Types of Monitor Bytes	22
3.2	Storage of Programming Information	22
3.3	SICOFI [®] -4 Commands	23
3.3.1	SOP – Write Commands	23
3.3.2	XOP – Write Commands	24
3.3.3	COP – Write Commands	24
3.3.4	SOP – Read Commands	25
3.3.5	XOP – Read Commands	26
3.3.6	COP – Read Commands	27
3.3.7	Example for a Mixed Command	28
3.4	SOP Command	29
3.4.1	CR1 Configuration Register 1	30
3.4.2	CR2 Configuration Register 2	31
3.4.3	CR3 Configuration Register 3	32
3.4.4	CR4 Configuration Register 4	34
3.5	COP Command	35
3.6	How to Program the Filter Coefficients	36
3.7	XOP Command	37
3.7.1	XR1 Extended Register 1	37
3.7.2	XR2 Extended Register 2	38
3.7.3	XR3 Extended Register 3	40
3.7.4	XR4 Extended Register 4	40
4	SLIC Interface	41
4.1	IOM [®] -2 Interface Command/Indication Byte	41
4.2	Data-Downstream C/I Channel Byte Format (receive)	41
4.3	Data-Upstream C/I Channel Byte Format (transmit)	41
5	Operating Modes	44
5.1	RESET (Basic setting mode)	44
5.2	Standby Mode	45
5.3	Operating Mode	45

Table of Contents		Page
6	Programmable Filters	46
6.1	Impedance Matching Filter	46
6.2	Transhybrid Balancing (TH) Filter	46
6.3	Filters for Frequency Response Correction	46
6.4	Amplification/Attenuation-Filters AX1, AX2, AR1, AR2	47
6.5	Amplification/Attenuation Receive (AR1, AR2)-Filter	47
6.6	Amplification/Attenuation Transmit (AX1, AX2)-Filter	47
7	QSICOS Software	48
7.1	QSICOS Supports	49
8	Transmission Characteristics	50
8.1	Frequency Response	52
8.2	Group Delay	53
8.3	Out-of-Band Signals at Analog Input	55
8.4	Out-of-Band Signals at Analog Output	56
8.5	Out of Band Idle Channel Noise at Analog Output	57
8.6	Overload Compression	57
8.7	Gain Tracking (receive or transmit)	58
8.8	Total Distortion	58
8.8.1	Total Distortion Measured with Sine Wave	58
8.8.2	Total Distortion Measured with Noise According to CCITT	59
8.9	Single Frequency Distortion	60
8.10	Transhybrid Loss	60
9	Electrical Characteristics	61
9.1	Absolute Maximum Ratings	61
9.2	Operating Range	62
9.3	Digital Interface	62
9.4	Analog Interface	63
9.5	Reset Timing	63
9.6	IOM [®] -2 Interface Timing	64
9.6.1	4 MHz Operation Mode (Mode = 1)	64
9.6.2	2 MHz Operation Mode (Mode = 0)	65
9.7	IOM [®] -2 Command/Indication Interface Timing	66
9.7.1	4 MHz Operation Mode (Mode = 1)	66
9.7.2	2 MHz Operation Mode (Mode = 0)	67
9.8	Detector Select Timing	68

Table of Contents		Page
10	Appendix	69
10.1	IOM [®] -2 Interface Monitor Transfer Protocol	69
10.1.1	Monitor Channel Operation	69
10.1.2	Monitor Handshake Procedure	70
10.1.3	State Diagram of the SICOFI [®] -4 Monitor Transmitter	71
10.1.4	State Diagram of the SICOFI [®] -4 Monitor Receiver	72
10.1.5	Monitor Channel Data Structure	73
10.2	IOM [®] -2 Interface Programming Procedure	74
10.3	Test Features	76
10.3.1	Boundary Scan	76
10.3.2	The TAP-Controller	78
10.3.3	Level Metering Function	80
10.3.4	Using the Level Metering Function	82
10.4	Programming the SICOFI [®] -4 Tone Generators	84
11	Proposed Test Circuit	85
12	Board Layout Recommendation	86
12.1	Board Layout	86
12.2	Filter Capacitors	86
13	Package Outlines	88

IOM[®], IOM[®]-1, IOM[®]-2, SICOFI[®], SICOFI[®]-2, SICOFI[®]-4 and SICOFI[®]-4 μ C, are registered trademarks of Siemens AG.

General Description**1 General Description**

The four Channel CODEC Filter PEB 2465 SICOFI-4 is the logic continuation of a well-established family of SIEMENS codec-filter-ICs.

The SICOFI-4 is a fully integrated PCM CODEC and FILTER fabricated in low power 1μ CMOS technology for applications in digital communication systems. Based on an advanced digital filter concept, the PEB 2465 provides excellent transmission performance and high flexibility. The new filter concept (second generation) lends to a maximum of independence between the different filter blocks. Each filter block can be seen like an one to one representative of the corresponding network element.

Only very few external components are needed, to complete the functionality of the SICOFI-4. The internal level accuracy is based on a very accurate bandgap reference. The frequency behavior is mainly determined by digital filters, which do not have any fluctuations. As a result of the new ADC - and DAC - concepts linearity is only limited by second order parasitic effects. Although the device works with only one single 5 V supply there is a very good dynamic range available.

Four Channel Codec Filter SICOFI®-4

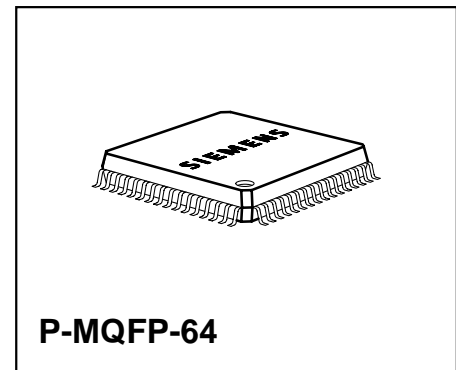
PEB 2465

Version 2.3

CMOS

1.1 Features

- Single chip CODEC and FILTER to handle four CO- or PABX-channels
- Specification according to relevant CCITT, EIA and LSSGR recommendations
- Digital signal processing technique
- Programmable interface optimized to current feed SLICs and transformer solutions
- Four pin serial IOM-2 Interface
- Single power supply 5 V
- Advanced low power 1 μm analog CMOS technology
- Standard 64 pin P-MQFP-64 package
- High performance Analog to Digital Conversion
- High performance Digital to Analog Conversion
- Programmable digital filters to adapt the transmission behavior especially for
 - AC impedance matching
 - transhybrid balancing
 - frequency response
 - gain
- Advanced test capabilities
 - all digital pins can be tested within a boundary scan scheme (IEEE 1149.1)
 - five digital loops
 - four analog loops
 - two programmable tone generators per channel
- Comprehensive Development Platform available
 - software for automatic filter coefficient calculation - QSICOS
 - Hardware development board - STUT 2465



Type	Ordering Code	Package
PEB 2465 H V2.3	on request	P-MQFP-64

1.2 Pin Configuration
(top view)

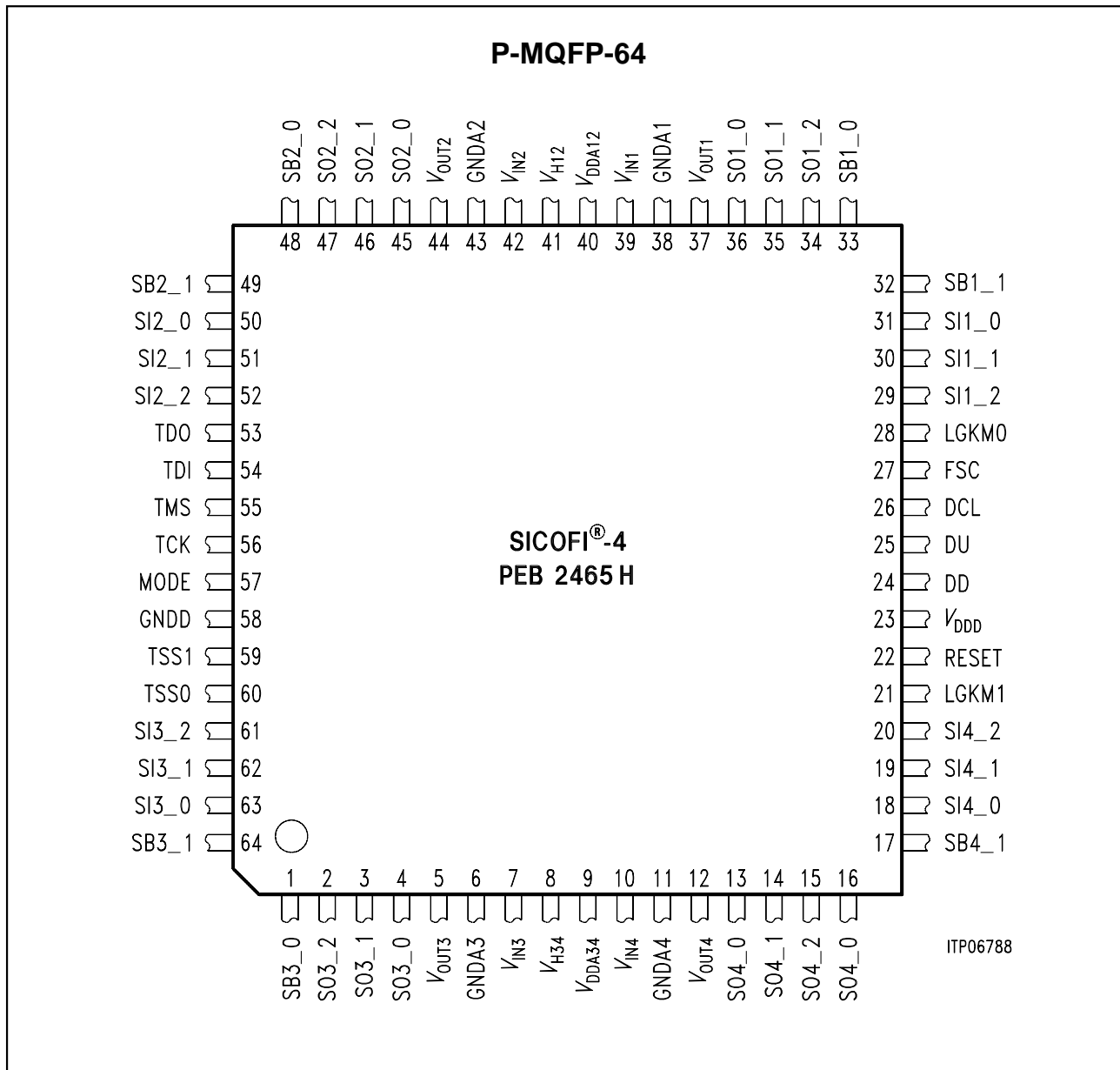


Figure 1

General Description

1.3 Pin Definition and Functions

Pin No.	Symbol	Input (I) Output (O)	Function
---------	--------	-------------------------	----------

Common Pins for All Channels

23	V _{DDD}	I	+ 5 V supply for the digital circuitry ¹⁾
58	GNDD	I	Ground Digital, not internally connected to GNDA 1, 2, 3, 4 All digital signals are referred to this pin
40	V _{DDA12}	I	+ 5 V Analog supply voltage for channel 1 and 2 ¹⁾
9	V _{DDA34}	I	+ 5 V Analog supply voltage for channel 3 and 4 ¹⁾
27	FSC	I	IOM-2: Frame synchronization clock , 8 kHz
26	DCL	I	IOM-2: Data clock, 2048 kHz or 4096 kHz depending on MODE
25	DU	O	IOM-2: Data upstream, open drain output
24	DD	I	IOM-2: Data downstream, input
22	RESET	I	Reset input - forces the device to the default mode, active high
57	MODE	I	IOM-2: Mode Selection
60	TSS0	I	IOM-2: Time slot selection pin 0
59	TSS1	I	IOM-2: Time slot selection pin 1
56	TCK	I	Boundary scan: Test Clock
55	TMS	I	Boundary scan: Test Mode Select
54	TDI	I	Boundary scan: Test Data Input
53	TDO	O	Boundary scan: Test Data Output
28	LGKM0	O	Loop/Ground Key Multiplexing output 0 for channel 1, 2
21	LGKM1	O	Loop/Ground Key Multiplexing output 1 for channel 3, 4
41	V _{H12}	I/O	Reference voltage for channel 1 and 2, has to be connected via a 220 nF cap. to ground
8	V _{H34}	I/O	Reference voltage for channel 3 and 4, has to be connected via a 220 nF cap. to ground

¹⁾ A 100 nF cap. should be used for blocking these pins, see also on **page 87**.

General Description

1.3 Pin Definition and Functions (cont'd)

Pin No.	Symbol	Input (I) Output (O)	Function
---------	--------	-------------------------	----------

Specific Pins for Channel 1

38	GNDA1	I	Ground Analog for channel 1, not internally connected to GNDD or GNDA 2, 3, 4
39	V _{IN1}	I	Analog voice (voltage) input for channel 1
37	V _{OUT1}	O	Analog voice (voltage) output for channel 1
31	SI1_0	I	Signaling indication input pin 0 for channel 1
30	SI1_1	I	Signaling indication input pin 1 for channel 1
29	SI1_2	I	Signaling indication input pin 2 for channel 1
36	SO1_0	O	Signaling command output pin 0 for channel 1
35	SO1_1	O	Signaling command output pin 1 for channel 1
34	SO1_2	O	Signaling command output pin 2 for channel 1
33	SB1_0	I/O	Bi-directional signal. command indication pin 0 for channel 1
32	SB1_1	I/O	Bi-directional signal. command indication pin 1 for channel 1

Specific Pins for Channel 2

43	GNDA2	I	Ground Analog for channel 2, not internally connected to GNDD or GNDA 1, 3, 4
42	V _{IN2}	I	Analog voice (voltage) input for channel 2
44	V _{OUT2}	O	Analog voice (voltage) output for channel 2
50	SI2_0	I	Signaling indication input pin 0 for channel 2
51	SI2_1	I	Signaling indication input pin 1 for channel 2
52	SI2_2	I	Signaling indication input pin 2 for channel 2
45	SO2_0	O	Signaling command output pin 0 for channel 2
46	SO2_1	O	Signaling command output pin 1 for channel 2
47	SO2_2	O	Signaling command output pin 2 for channel 2
48	SB2_0	I/O	Bi-directional signal. command indication pin 0 for channel 2
49	SB2_1	I/O	Bi-directional signal. command indication pin 1 for channel 2

General Description

1.3 Pin Definition and Functions (cont'd)

Pin No.	Symbol	Input (I) Output (O)	Function
---------	--------	-------------------------	----------

Specific Pins for Channel 3

6	GNDA3	I	Ground Analog for channel 3, not internally connected to GNDD or GNDA1, 2, 4
7	V_{IN3}	I	Analog voice (voltage) input for channel 3
5	V_{OUT3}	O	Analog voice (voltage) output for channel 3
63	SI3_0	I	Signaling indication input pin 0 for channel 3
62	SI3_1	I	Signaling indication input pin 1 for channel 3
61	SI3_2	I	Signaling indication input pin 2 for channel 3
4	SO3_0	O	Signaling command output pin 0 for channel 3
3	SO3_1	O	Signaling command output pin 1 for channel 3
2	SO3_2	O	Signaling command output pin 2 for channel 3
1	SB3_0	I/O	Bi-directional signal. command indication pin 0 for channel 3
64	SB3_1	I/O	Bi-directional signal. command indication pin 1 for channel 3

Specific Pins for Channel 4

11	GNDA4	I	Ground Analog for channel 4, not internally connected to GNDD or GNDA1,2,3
10	V_{IN4}	I	Analog voice (voltage) input for channel 4
12	V_{OUT4}	O	Analog voice (voltage) output for channel 4
18	SI4_0	I	Signaling indication input pin 0 for channel 4
19	SI4_1	I	Signaling indication input pin 1 for channel 4
20	SI4_2	I	Signaling indication input pin 2 for channel 4
13	SO4_0	O	Signaling command output pin 0 for channel 4
14	SO4_1	O	Signaling command output pin 1 for channel 4
15	SO4_2	O	Signaling command output pin 2 for channel 4
16	SB4_0	I/O	Bi-directional signal. command indication pin 0 for channel 4
17	SB4_1	I/O	Bi-directional signal. command indication pin 1 for channel 4

2 Functional Description

2.1 SICOFI[®]-4 Principles

The change from 2 μm to 1 μm CMOS process requires new concepts in the realization of the analog functions. High performance (in the terms of gain, speed, stability...) 1 μm CMOS devices can not withstand more than 5.5 V of supply-voltage. On that account the negative supply voltage V_{SS} of the previous SICOFI[®]s will be omitted. This is a benefit for the user but it makes a very high demand on the analog circuitry.

ADC and DAC are changed to Sigma-Delta-concepts to fulfill the stringent requirements on the dynamic parameters.

Using 1 μm CMOS does not only lend to problems – it is the only acceptable solution in terms of area and power consumption for the integration of more then two SICOFI channels on a single chip.

It is rather pointless to implement 4 codec-filter-channels on one chip with pure analog circuitry. The use of a DSP-concept (the SICOFI[®] and the SICOFI[®]-2-approach) for this function seems to be a must for an adequate four channel architecture.

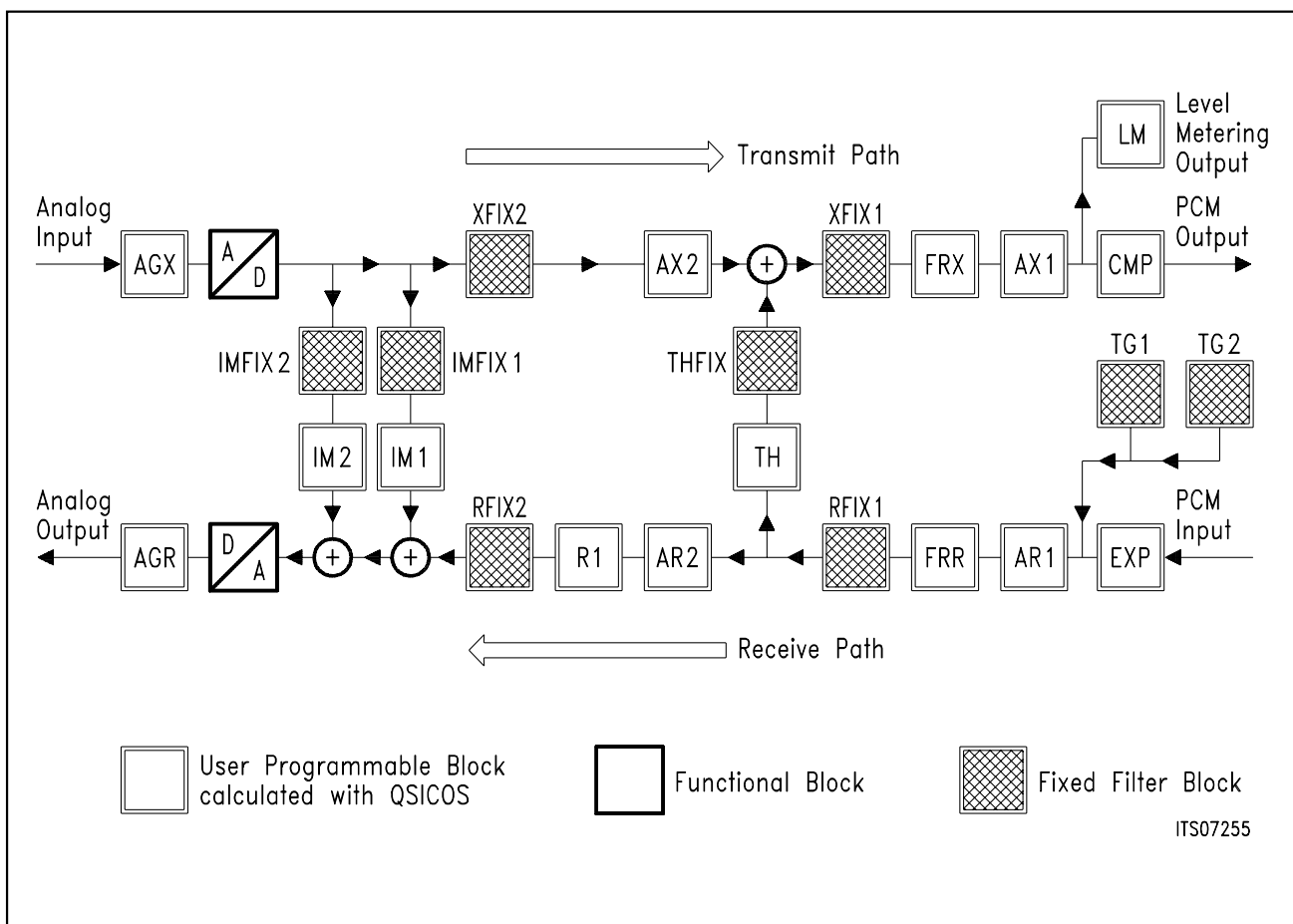


Figure 2
SICOFI[®]-4 Signal Flow Graph (for either channel)

Functional Description**Transmit Path**

The analog input signal has to be DC-free connected by an external capacitor because there is an internal virtual reference ground potential. After passing a simple antialiasing prefilter (PREFI) the voice signal is converted to a 1-bit digital data stream in the Sigma-Delta-converter. The first downsampling steps are done in fast running digital hardware filters. The following steps are implemented in the micro-code which has to be executed by the central Digital Signal Processor. This DSP-machine is able to handle the workload for all four channels. At the end the fully processed signal (flexibly programmed in many parameters) is transferred to the IOM-2 interface in a PCM-compressed signal representation.

Receive Path

The digital input signal is received via the IOM-2 interface. Expansion, PCM-Law-pass-filtering, gain correction and frequency response correction are the next steps which are done by the DSP-machine. The upsampling interpolation steps are again processed by fast hardware structures to reduce the DSP-workload. The upsampled 1-bit data stream is then converted to an analog equivalent which is smoothed by a POST-Filter (POFI). As the signal V_{OUT} is also referenced to an internal virtual ground potential, an external capacitor is required for DC-decoupling.

Loops

There are two loops implemented. The first is to generate the AC-input impedance (IM) and the second is to perform a proper hybrid balancing (TH). A simple extra path IM2 (from the transmit to the receive path) supports the impedance matching function.

Test Features

There are four analog and five digital test loops implemented in the SICOFI-4. For special tests it is possible to 'Cut Off' the receive and the transmit path at two different points.

Functional Description

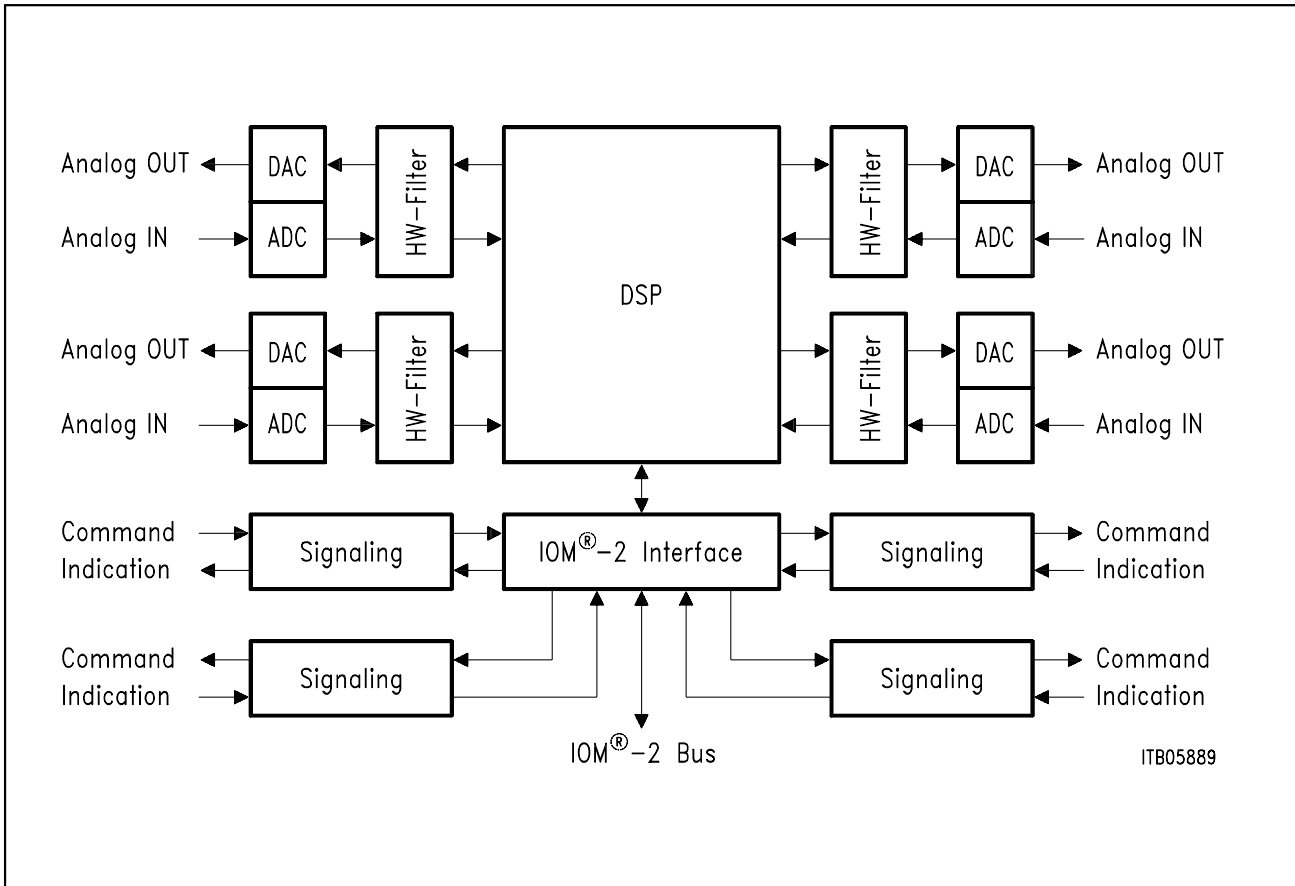


Figure 3
SICOFI[®]-4 Block Diagram

The SICOFI-4 bridges the gap between analog and digital voice signal transmission in modern telecommunication systems. High performance oversampling Analog-to-Digital Converters (ADC) and Digital-to-Analog Converters (DAC) provide the required conversion accuracy. Analog antialiasing prefilters (PREFI) and smoothing postfilters (POFI) are included. The connection between the ADC and the DAC (with high sampling rate) and the DSP, is done by specific Hardware Filters, for filtering like interpolation and decimation. The dedicated Digital Signal Processor (DSP) handles all the algorithms necessary e.g. for PCM bandpass filtering, sample rate conversion and PCM companding. The IOM-2 Interface handles digital voice transmission, SICOFI-4 feature control and transparent access to the SICOFI-4 command and indication pins. To program the filters, precalculated sets of coefficients are downloaded from the system to the on chip coefficient ram (CRAM).

Functional Description

2.2 IOM[®]-2 Interface

The IOM-2 Interface consists of two data lines and two clock lines. DU (data upstream) carries data from the SICOFI-4 to a master device. This master device performs the interface between the PCM-backplane, the μ -controller and up to 24 SICOFI-4's. DD (data downstream) carries data from the master device to the SICOFI-4. A frame synchronization clock signal (8 kHz, FSC) as well as a data clock signal (2048 kHz or 4096 kHz DCL) has to be supplied to the SICOFI-4. The SICOFI-4 handles data as described in the IOM-2 specification for analog devices.

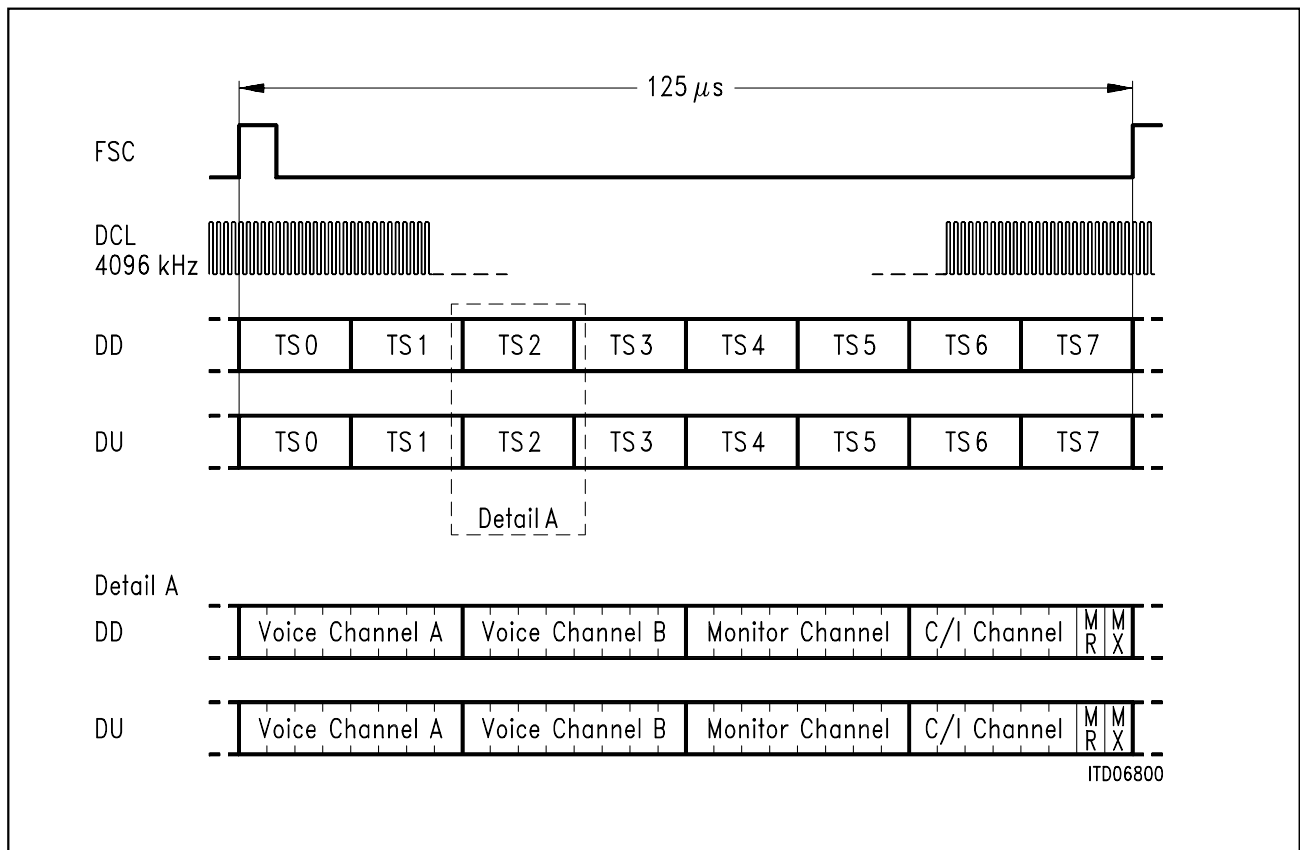


Figure 4
IOM[®]-2 Interface Timing for 16 Voice Channels (per 8 kHz frame)

Functional Description

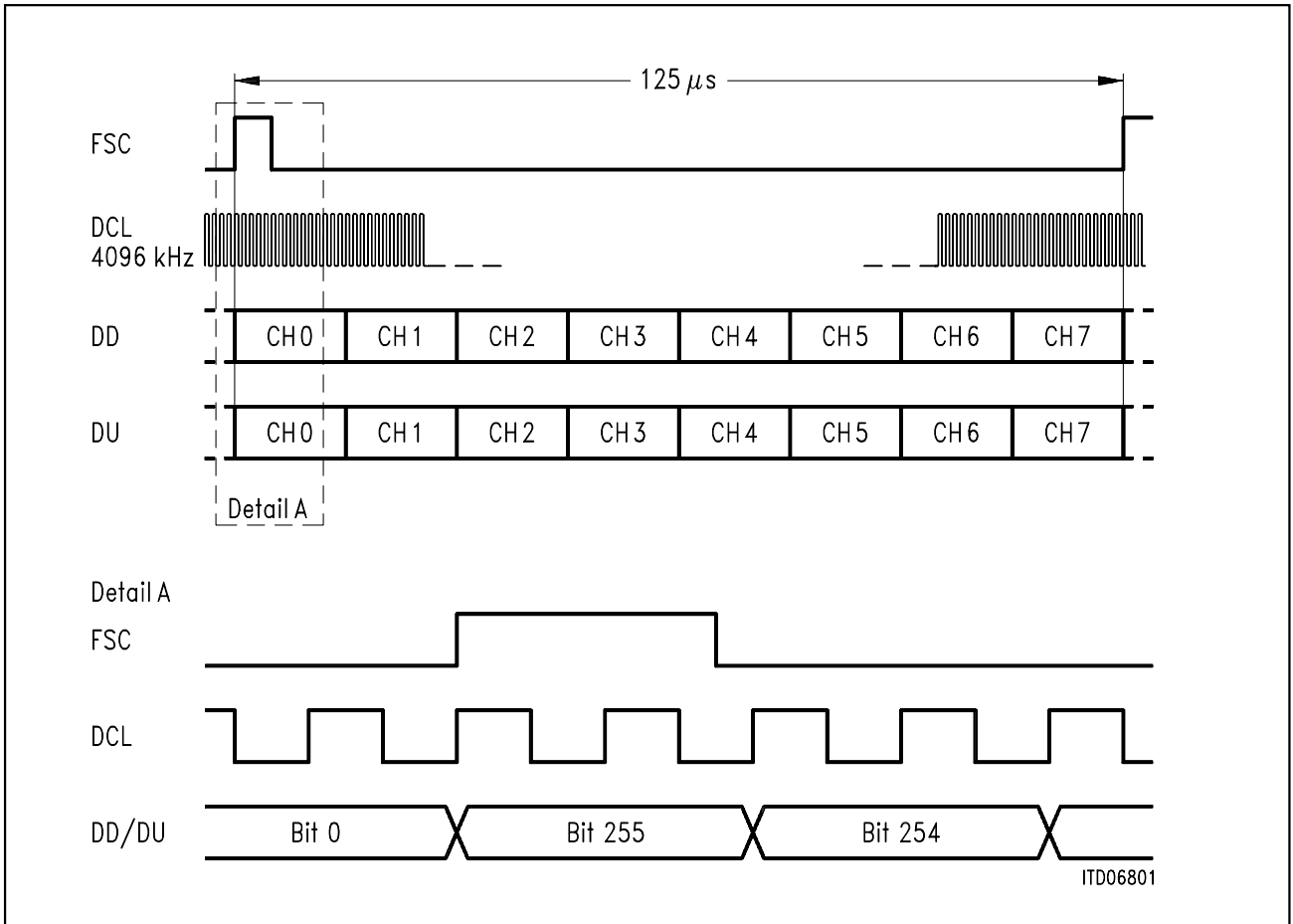


Figure 5
IOM[®]-2 Interface Timing (DCL = 4096 kHz, MODE = 1, per 8 kHz frame)

Functional Description

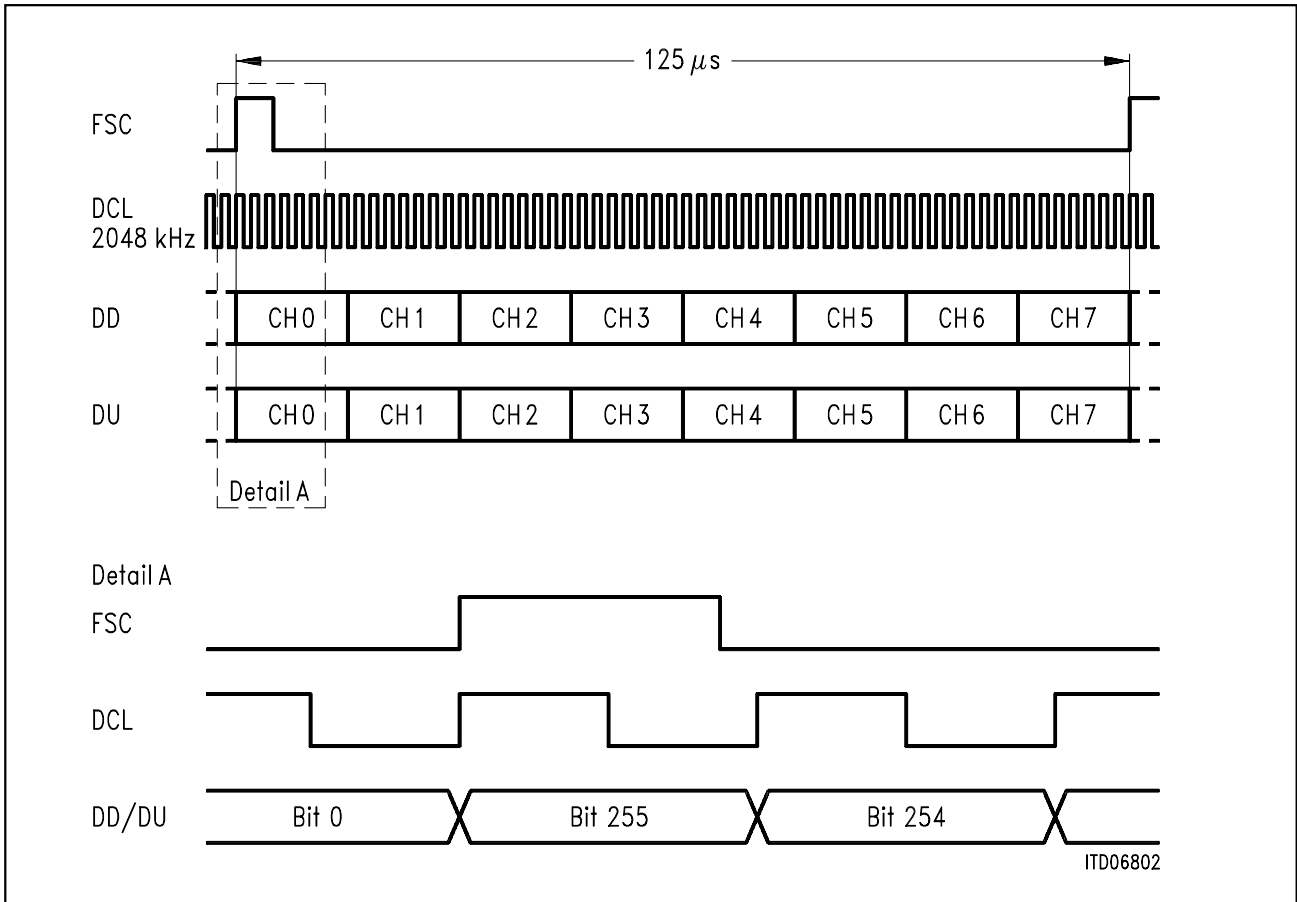


Figure 6
IOM[®]-2 Interface Timing (DCL = 2048 kHz, MODE = 0)

IOM[®]-2 Timeslot Selection

The four channels of each SICOFI-4 can be assigned to 4 pairs of timeslots by pin-strapping the pins TSS0 and TSS1. (TS0 + TS1, TS2 + TS3, TS4 + TS5, TS6 + TS7). The IOM-2 operating mode is selected by the MODE pin.

Table 1

TSS1	TSS0	MODE	IOM [®] -2 Operating Mode
0	0	1	Timeslot 0 + 1; DCL = 4096 kHz
0	1	1	Timeslot 2 + 3; DCL = 4096 kHz
1	0	1	Timeslot 4 + 5; DCL = 4096 kHz
1	1	1	Timeslot 6 + 7; DCL = 4096 kHz
0	0	0	Timeslot 0 + 1; DCL = 2048 kHz
0	1	0	Timeslot 2 + 3; DCL = 2048 kHz
1	0	0	Timeslot 4 + 5; DCL = 2048 kHz
1	1	0	Timeslot 6 + 7; DCL = 2048 kHz

Functional Description

Each IOM-timeslot contains 2 voice channels (A and B). Those two voice channels share a common IOM-Monitor-byte as well as a common C/I-byte. The AD-bit in the Monitor command defines which of the two voice channels should be affected (programmed). (For more information on IOM-2 specific Monitor Channel Data Structure see appendix, page 73).

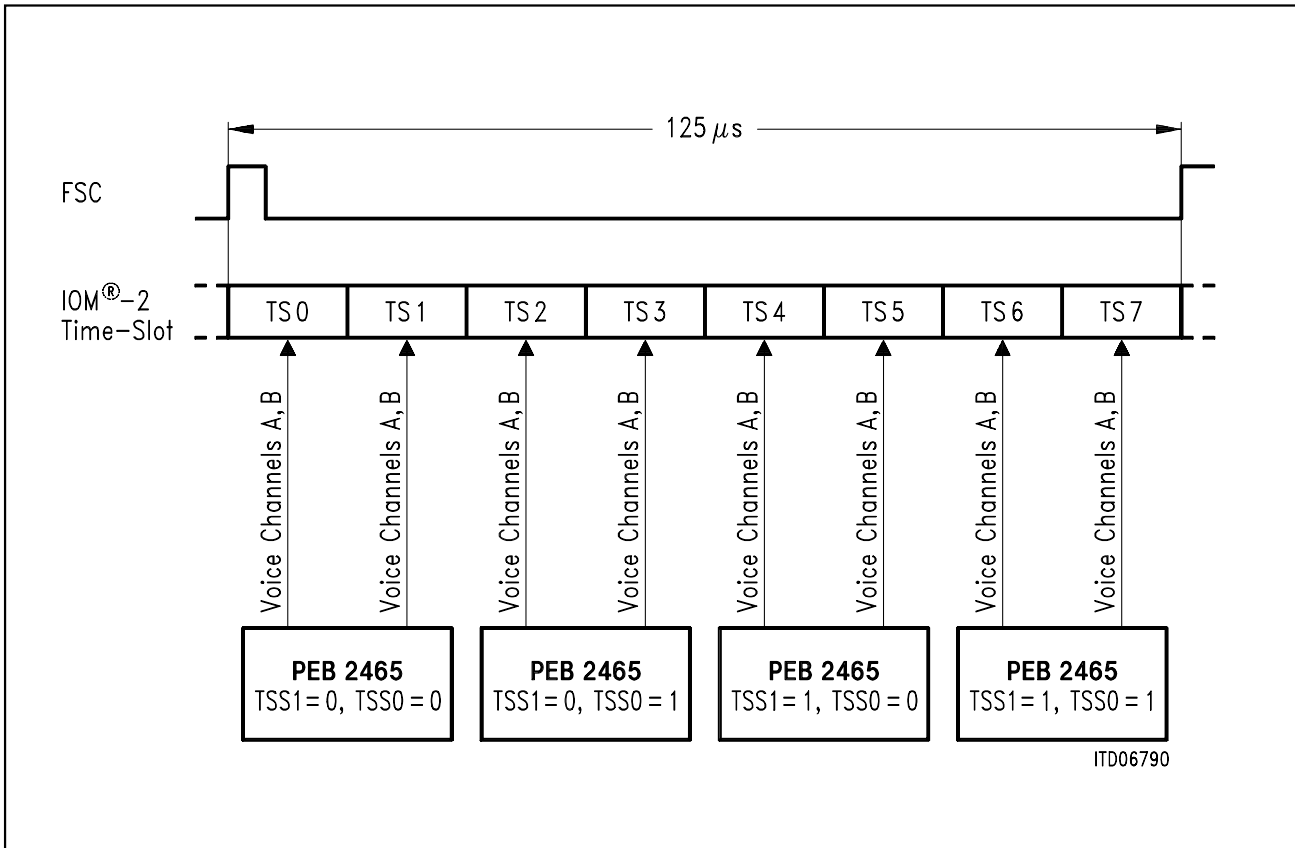


Figure 7

Table 2

SICOFI®-4 Channels	TSS1 = 0, TSS0 = 0		TSS1 = 0, TSS0 = 1		TSS1 = 1, TSS0 = 0		TSS1 = 1, TSS0 = 1	
	TS	Voice Channel	TS	Voice Channel	TS	Voice Channel	TS	Voice Channel
1	TS0	A	TS2	A	TS4	A	TS6	A
2	TS0	B	TS2	B	TS4	B	TS6	B
3	TS1	A	TS3	A	TS5	A	TS7	A
4	TS1	B	TS3	B	TS5	B	TS7	B

In the following sections, only SICOFI-4 channels 1 and 2 are discussed. Channel 3 and channel 4 behave accordingly.

Programming the SICOFI®-4**3 Programming the SICOFI®-4**

With the appropriate commands, the SICOFI-4 can be programmed and verified very flexibly via the IOM-2 Interface monitor channel.

Data transfer to the SICOFI-4 starts with a SICOFI-specific address byte (81_H).

With the second byte one of 3 different types of commands (SOP, XOP and COP) is selected. Each of those can be used as a write or read command. Due to the extended SICOFI-4 feature control facilities, SOP, COP and XOP commands contain additional information (e.g. number of subsequent bytes) for programming (write) and verifying (read) the SICOFI-4 status.

A write command is followed by up to 8 bytes of data. The SICOFI-4 responds to a read command with its IOM-2 specific address and the requested information, that is up to 8 bytes of data (see Programming Procedure, **page 74**).

Attention: Each byte on the monitor channel, has to be sent twice at least, according to the IOM-2 Monitor handshake procedure. (For more information on IOM-2 specific Monitor Channel Data Structure see appendix, **page 73**).

Programming the SICOFI®-4

3.1 Types of Monitor Bytes

The 8-bit Monitor bytes have to be interpreted as either commands or status information stored in Configuration Registers or the Coefficient Ram. There are three different types of SICOFI-4 commands which are selected by bit 3 and 4 as shown below.

SOP STATUS OPERATION: SICOFI-4 status setting/monitoring

Bit	7	6	5	4	3	2	1	0
				1	0			

XOP EXTENDED OPERATION: C/I channel configuration/evaluation

Bit	7	6	5	4	3	2	1	0
	X			1	1			

COP COEFFICIENT OPERATION: filter coefficient setting/monitoring

Bit	7	6	5	4	3	2	1	0
				0				

3.2 Storage of Programming Information

4 configuration registers per channel: CR1, CR2, CR3, CR4 accessed by SOP commands

4 common configuration registers: XR1, XR2, XR3 and XR4 accessed by XOP commands (the contents are valid for two voice channels i.e. 1 IOM-2 timeslot)

1 Coefficient RAM per channel: CRAM accessed by COP commands

Programming the SICOFI®-4

3.3 SICOFI®-4 Commands

3.3.1 SOP – Write Commands

DD	7	6	5	4	3	2	1	0	Bit	7	6	5	4	3	2	1	0	DU
Address	1	0	0	0	0	0	0	1		Idle								
SOP-Write 1 Byte		0		1	0	0	0	1		Idle								
CR1	Data									Idle								

DD	7	6	5	4	3	2	1	0	Bit	7	6	5	4	3	2	1	0	DU
Address	1	0	0	0	0	0	0	1		Idle								
SOP-Write 2 Bytes		0		1	0	0	1	0		Idle								
CR2	Data									Idle								
CR1	Data									Idle								

DD	7	6	5	4	3	2	1	0	Bit	7	6	5	4	3	2	1	0	DU
Address	1	0	0	0	0	0	0	1		Idle								
SOP-Write 3 Bytes		0		1	0	0	1	1		Idle								
CR3	Data									Idle								
CR2	Data									Idle								
CR1	Data									Idle								

DD	7	6	5	4	3	2	1	0	Bit	7	6	5	4	3	2	1	0	DU
Address	1	0	0	0	0	0	0	1		Idle								
SOP-Write 4 Bytes		0		1	0	1	0	0		Idle								
CR4	Data									Idle								
CR3	Data									Idle								
CR2	Data									Idle								
CR1	Data									Idle								

Programming the SICOFI®-4

3.3.2 XOP – Write Commands

DD	7	6	5	4	3	2	1	0	Bit	7	6	5	4	3	2	1	0	DU
Address	1	0	0	0	0	0	0	1										Idle
XOP-Write 2 Bytes		0		1	1	0	1	0										Idle
XR2	Data																	Idle
XR1	Data																	Idle

DD	7	6	5	4	3	2	1	0	Bit	7	6	5	4	3	2	1	0	DU
Address	1	0	0	0	0	0	0	1										Idle
XOP-Write 3 Bytes		0		1	1	0	1	0										Idle
XR3	Data																	Idle
XR2	Data																	Idle
XR1	Data																	Idle

3.3.3 COP – Write Commands

DD	7	6	5	4	3	2	1	0	Bit	7	6	5	4	3	2	1	0	DU
Address	1	0	0	0	0	0	0	1										Idle
COP-Write 4 Bytes		0		0	1													Idle
Coeff. 4	Data																	Idle
Coeff. 3	Data																	Idle
Coeff. 2	Data																	Idle
Coeff. 1	Data																	Idle

DD	7	6	5	4	3	2	1	0	Bit	7	6	5	4	3	2	1	0	DU
Address	1	0	0	0	0	0	0	1										Idle
COP-Write 8 Bytes		0		0	0													Idle
Coeff. 8	Data																	Idle
Coeff. 7	Data																	Idle
Coeff. 6	Data																	Idle
Coeff. 5	Data																	Idle
Coeff. 4	Data																	Idle
Coeff. 3	Data																	Idle
Coeff. 2	Data																	Idle
Coeff. 1	Data																	Idle

Programming the SICOFI®-4

3.3.4 SOP – Read Commands

DD	7	6	5	4	3	2	1	0	Bit	7	6	5	4	3	2	1	0	DU
Address	1	0	0	0	0	0	0	1		Idle								
SOP-Read 1 Byte		1		1	0	0	0	1		Idle								
	Idle									1	0	0	0	0	0	0	1	Address
	Idle									Data								CR1

DD	7	6	5	4	3	2	1	0	Bit	7	6	5	4	3	2	1	0	DU
Address	1	0	0	0	0	0	0	1		Idle								
SOP-Read 2 Bytes		1		1	0	0	1	0		Idle								
	Idle									1	0	0	0	0	0	0	1	Address
	Idle									Data								CR2
	Idle									Data								CR1

DD	7	6	5	4	3	2	1	0	Bit	7	6	5	4	3	2	1	0	DU
Address	1	0	0	0	0	0	0	1		Idle								
SOP-Read 3 Bytes		1		1	0	0	1	1		Idle								
	Idle									1	0	0	0	0	0	0	1	Address
	Idle									Data								CR3
	Idle									Data								CR2
	Idle									Data								CR1

DD	7	6	5	4	3	2	1	0	Bit	7	6	5	4	3	2	1	0	DU
Address	1	0	0	0	0	0	0	1		Idle								
SOP-Read 4 Bytes		1		1	0	1	0	0		Idle								
	Idle									1	0	0	0	0	0	0	1	Address
	Idle									Data								CR4
	Idle									Data								CR3
	Idle									Data								CR2
	Idle									Data								CR1

Programming the SICOFI®-4

3.3.5 XOP – Read Commands

DD	7	6	5	4	3	2	1	0	Bit	7	6	5	4	3	2	1	0	DU
Address	1	0	0	0	0	0	0	1		Idle								
XOP-Read 1 Byte		1		1	1	0	0	1		Idle								
	Idle									1	0	0	0	0	0	0	1	Address
	Idle									Data								XR1

DD	7	6	5	4	3	2	1	0	Bit	7	6	5	4	3	2	1	0	DU
Address	1	0	0	0	0	0	0	1		Idle								
XOP-Read 2 Bytes		1		1	1	0	1	0		Idle								
	Idle									1	0	0	0	0	0	0	1	Address
	Idle									Data								XR2
	Idle									Data								XR1

DD	7	6	5	4	3	2	1	0	Bit	7	6	5	4	3	2	1	0	DU
Address	1	0	0	0	0	0	0	1		Idle								
XOP-Read 3 Bytes		1		1	1	0	1	1		Idle								
	Idle									1	0	0	0	0	0	0	1	Address
	Idle									Data								XR3
	Idle									Data								XR2
	Idle									Data								XR1

Programming the SICOFI®-4

3.3.6 COP – Read Commands

DD	7	6	5	4	3	2	1	0	Bit	7	6	5	4	3	2	1	0	DU
Address	1	0	0	0	0	0	0	0	1	Idle								
COP-Read 4 Bytes		1		0	1					Idle								
	Idle								1	0	0	0	0	0	0	0	1	Address
	Idle								Data								Coeff. 4	
	Idle								Data								Coeff. 3	
	Idle								Data								Coeff. 2	
	Idle								Data								Coeff. 1	

DD	7	6	5	4	3	2	1	0	Bit	7	6	5	4	3	2	1	0	DU
Address	1	0	0	0	0	0	0	0	1	Idle								
COP-Read 8 Bytes		1		0	0					Idle								
	Idle								1	0	0	0	0	0	0	0	1	Address
	Idle								Data								Coeff. 8	
	Idle								Data								Coeff. 7	
	Idle								Data								Coeff. 6	
	Idle								Data								Coeff. 5	
	Idle								Data								Coeff. 4	
	Idle								Data								Coeff. 3	
	Idle								Data								Coeff. 2	
	Idle								Data								Coeff. 1	

Programming the SICOFI®-4

3.3.7 Example for a Mixed Command

DD	7	6	5	4	3	2	1	0	Bit	7	6	5	4	3	2	1	0	DU	
Address	1	0	0	0	0	0	0	1										Idle	
SOP-Write 4 Bytes		0		1	0	1	0	0										Idle	
CR4				Data														Idle	
CR3				Data														Idle	
CR2				Data														Idle	
CR1				Data														Idle	
XOP-Write 2 Bytes		0		1	1	0	1	0										Idle	
XR2				Data														Idle	
XR1				Data														Idle	
COP-Write 4 Bytes		0		0	1													Idle	
Coeff. 4				Data														Idle	
Coeff. 3				Data														Idle	
Coeff. 2				Data														Idle	
Coeff. 1				Data														Idle	
SOP-Read 3 Bytes		1		1	0	0	1	1										Idle	
				Idle						1	0	0	0	0	0	0	1	Address	
				Idle														Data	CR3
				Idle														Data	CR2
				Idle														Data	CR1
Address	1	0	0	0	0	0	0	1										Idle	
COP-Read 4 Bytes		1		0	1													Idle	
				Idle						1	0	0	0	0	0	0	1	Address	
				Idle														Data	Coeff. 4
				Idle														Data	Coeff. 3
				Idle														Data	Coeff. 2
				Idle														Data	Coeff. 1
Address	1	0	0	0	0	0	0	1										Idle	
XOP-Read 1 Byte		1		1	1	0	0	1										Idle	
				Idle						1	0	0	0	0	0	0	1	Address	
				Idle														Data	XR1

Programming the SICOFI®-4

3.4 SOP Command

To modify or evaluate the SICOFI-4 status, the contents of up to four configuration registers CR1, CR2, CR3 and CR4 may be transferred to or from the SICOFI-4. This is started by a SOP-Command (status operation command).

Bit	7	6	5	4	3	2	1	0
	AD	RW	PWRUP	1	0	LSEL2	LSEL1	LSEL0

AD Address Information
 AD = 0 SICOFI-4 channel 1(3) is addressed with this command
 AD = 1 SICOFI-4 channel 2(4) is addressed with this command

RW Read/Write Information: Enables reading from the SICOFI-4 or writing information to the SICOFI-4
 RW = 0 Write to SICOFI-4
 RW = 1 Read from SICOFI-4

PWRUP Power Up / Power Down
 PWRUP = 1 sets the assigned channel (see bit AD) of SICOFI-4 to power-up (operating mode)
 PWRUP = 0 resets the assigned channel of SICOFI-4 to power-down (standby mode)

LSEL Length select information (see also Programming Procedure, **page 74**)
 This field identifies the number of subsequent data bytes
 LSEL = 000 0 bytes of data are following
 LSEL = 001 1 byte of data is following (CR1)
 LSEL = 010 2 bytes of data are following (CR2, CR1)
 LSEL = 011 3 bytes of data are following (CR3, CR2, CR1)
 LSEL = 100 4 bytes of data are following (CR4, CR3, CR2, CR1)

All other codes are reserved for future use!

It is possible to program each Configuration register separately, just by putting only one byte into the FIFO of the upstream master device (e.g. EPIC), and aborting after transmission of one (or n) byte.

3.4.1 CR1 Configuration Register 1

Configuration register CR1 defines the basic SICOFI-4 settings, which are: enabling/disabling the programmable digital filters and tone generators.

Bit	7	6	5	4	3	2	1	0
	TH	IM/R1	FRX	FRR	AX	AR	ETG2	ETG1

- TH** Enable TH- (TransHybrid Balancing) Filter
 TH = 0: TH-filter disabled
 TH = 1: TH-filter enabled

- IM/R1** Enable IM-(Impedance Matching) Filter and R1-Filter
 IM/R1 = 0: IM-filter and R1-filter disabled
 IM/R1 = 1: IM-filter and R1-filter enabled

- FRX** Enable FRX (Frequency Response Transmit)-Filter
 FRX = 0: FRX-filter disabled
 FRX = 1: FRX-filter enabled

- FRR** Enable FRR (Frequency Response Receive)-Filter

 FRR = 0: FRR-filter disabled
 FRR = 1: FRR-filter enabled

- AX** Enable AX-(Amplification/Attenuation Transmit) Filter
 AX = 0: AX-filter disabled
 AX = 1: AX-filter enabled

- AR** Enable AR-(Amplification/Attenuation Receive) Filter
 AR = 0: AR-filter disabled
 AR = 1: AR-filter enabled

- ETG2** Enable programmable tone generator 2¹⁾
 ETG2 = 0 : programmable tone generator 2 is disabled
 ETG2 = 1: programmable tone generator 2 is enabled

- ETG1** Enable programmable tone generator 1
 ETG1 = 0 : programmable tone generator 1 is disabled
 ETG1 = 1: programmable tone generator 1 is enabled

¹⁾ Tone generator 2 is not available if Level Metering Function is enabled!

3.4.2 CR2 Configuration Register 2

Bit	7	6	5	4	3	2	1	0
	TH-Sel		LM	LMR	LAW	LIN	PTG2	PTG1

TH-Sel 2 bit field to select one of four programmed TH-filter coefficient sets
 TH-Sel = 0 0: TH-filter coefficient set 1 is selected
 TH-Sel = 0 1: TH-filter coefficient set 2 is selected
 TH-Sel = 1 0: TH-filter coefficient set 3 is selected
 TH-Sel = 1 1: TH-filter coefficient set 4 is selected

LM Level Metering function¹⁾
 LM = 0 : level metering function is disabled
 LM = 1: level metering function is enabled

LMR Result of Level Metering function (this bit can not be written)
 LMR = 0: level detected was lower than the reference
 LMR = 1: level detected was higher than the reference

LAW PCM - law selection
 LAW = 0: A-Law is selected
 LAW = 1: μ -Law (μ 255 PCM) is selected

LIN Linear mode selection
 LIN = 0: PCM-mode is selected
 LIN = 1: linear mode is selected²⁾

PTG2 User programmed frequency or fixed frequency is selected
 PTG2 = 0: fixed frequency for tone generator 2 is selected (1 kHz)
 PTG2 = 1: programmed frequency for tone generator 2 is selected

PTG1 User programmed frequency or fixed frequency is selected
 PTG1 = 0: fixed frequency for tone generator 1 is selected (1 kHz)
 PTG1 = 1: programmed frequency for tone generator 1 is selected

¹⁾ Explanation of the level metering function:

A signal fed to A/ μ -Law compression via AX- and HPX-filters (from a digital loop, or externally via V_{IN}), is rectified, and the power is measured. If the power exceeds a certain value, loaded to XR4, bit LMR is set to '1'. The power of the incoming signal can be adjusted by AX-filters.

²⁾ During Linear operation only one 16 bit voice channel, is available per timeslot. Depending on the address bit (AD) the voice-data of channel 1 or 2 is transmitted. The other voice channel is not available during this time.

3.4.3 CR3 Configuration Register 3

Bit	7	6	5	4	3	2	1	0
	COT/R			0	IDR	Version		

- COT/R** Selection of Cut of Transmit/Receive Paths
- 0 0 0: Normal Operation
 - 0 0 1: COT_16K Cut Off Transmit Path at 16 kHz (input of TH-Filter)
 - 0 1 0: COT_PCM Cut Off Transmit Path at 8 kHz (input of compression) (output is zero for μ -law and linear mode, 1 LSB for A-law)
 - 1 0 1: COR_PFI Cut Off Receive Path at 4 MHz (POFI-output)
 - 1 1 0: COR_64K Cut Off Receive Path at 64 kHz (IM-filter input)

IDR Initialize Data RAM

IDR = 0: normal operation is selected

IDR = 1: contents of Data RAM is set to 0 (used for production test purposes)

Version The Version number shows the actual design version of SICOFI-4

- (001 for PEB 2465 V1.1
- 010 for PEB 2465 V1.2
- 011 for PEB 2465 V2.1
- 100 for PEB 2465 V2.2 and V2.3)

'CUT OFFS' and Loops

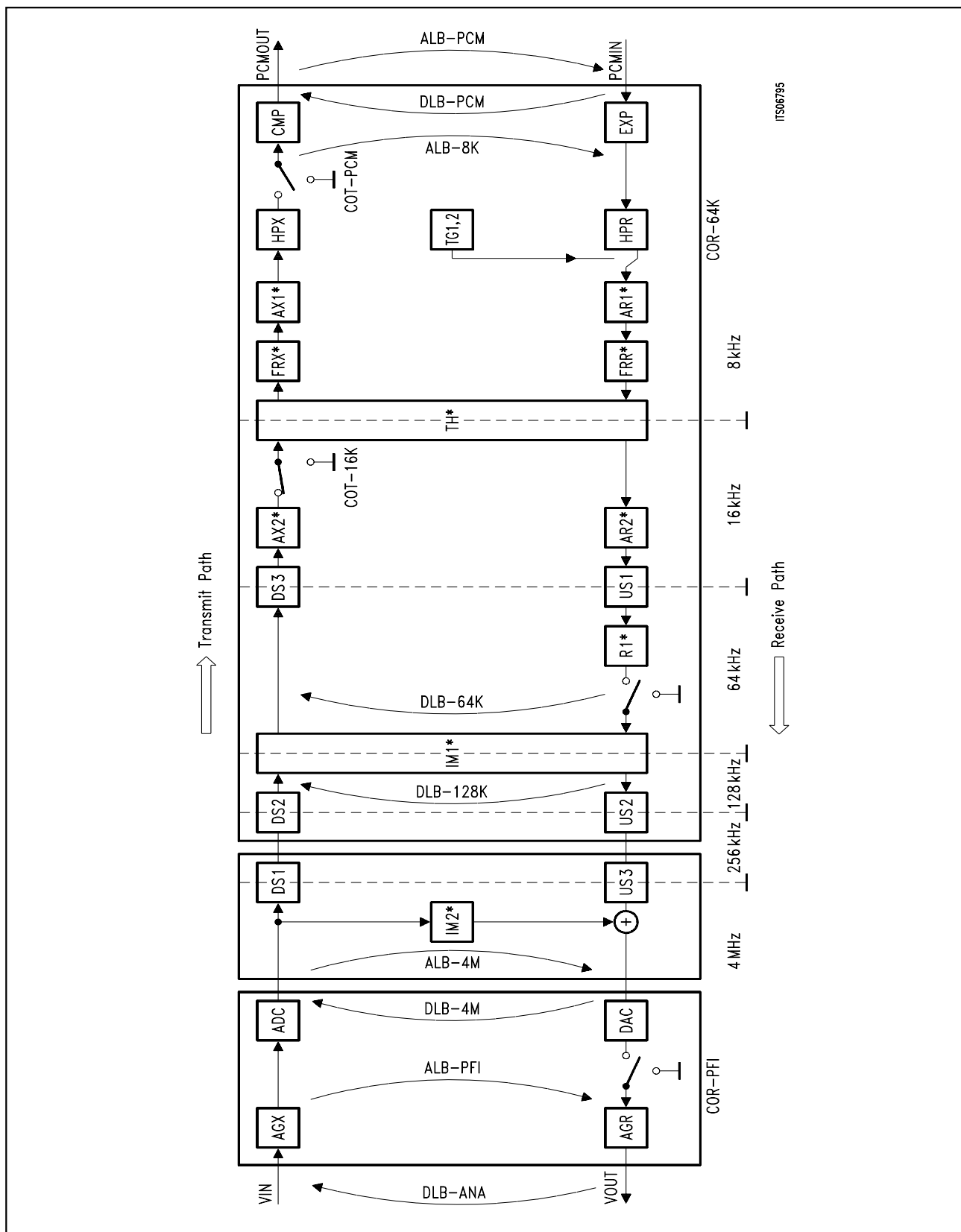


Figure 8

3.4.4 CR4 Configuration Register 4

Bit	7	6	5	4	3	2	1	0
	Test-Loops				AGX	AGR	D-HPX	D-HPR

Test-Loops 4 bit field for selection of Analog and Digital Loop Backs

- 0 0 0 0: no loop back is selected (normal operation)
- 0 0 0 1: ALB-PFI analog loop back via PREFI-POFI is selected
- 0 0 1 1: ALB-4M analog loop back via 4 MHz is selected
- 0 1 0 0: ALB-PCM analog loop back via 8 kHz (PCM) is selected
- 0 1 0 1: ALB-8K analog loop back via 8 kHz (linear) is selected

- 1 0 0 0: DLB-ANA digital loop back via analog port is selected
- 1 0 0 1: DLB-4M digital loop back via 4 MHz is selected
- 1 1 0 0: DLB-128K digital loop back via 128 kHz is selected
- 1 1 0 1: DLB-64K digital loop back via 64 kHz is selected
- 1 1 1 1: DLB-PCM digital loop back via PCM-registers is selected

AGX Analog gain in transmit direction
 AGX = 0: analog gain is disabled
 AGX = 1: analog gain is enabled (6.02 dB amplification)

AGR Analog gain in receive direction
 AGR = 0: analog gain is disabled
 AGR = 1: analog gain is enabled (6.02 dB attenuation)

D-HPX Disable highpass in transmit direction
 D-HPX = 0: transmit high pass is enabled
 D-HPX = 1: transmit high pass is disabled¹⁾

D-HPR Disable highpass in receive direction
 D-HPR = 0: receive high pass is enabled
 D-HPR = 1: receive high pass is disabled²⁾

¹⁾ In this case the transmit-path signal is attenuated 0.06 dB
²⁾ In this case the receive-path signal is attenuated 0.12 dB

Programming the SICOFI®-4

3.5 COP Command

With a COP Command coefficients for the programmable filters can be written to the SICOFI-4 Coefficient RAM or read from the Coefficient RAM via the IOM-2 interface for verification.

Bit	7	6	5	4	3	2	1	0
	AD	RW	RST	0	CODE3	CODE2	CODE1	CODE0

- AD** Address
 - AD = 0 SICOFI-4 channel 1 (3) is addressed
 - AD = 1 SICOFI-4 channel 2 (4) is addressed

- RW** Read/Write
 - RW = 0 Subsequent data is written to the SICOFI-4
 - RW = 1 Read data from SICOFI-4

- RST** Reset
 - RST = 1 Reset SICOFI-4
(same as RESET-pin, valid for all four channels)

- CODE** includes number of following bytes and filter-address
 - 0000 TH-Filter coefficients (part 1) (followed by 8 bytes of data)
 - 0001 TH-Filter coefficients (part 2) (followed by 8 bytes of data)
 - 0010 TH-Filter coefficients (part3) (followed by 8 bytes of data)
 - 0100 IM-Filter coefficients (part1) (followed by 8 bytes of data)
 - 0101 IM-Filter coefficients (part2) (followed by 8 bytes of data)
 - 0110 FRX-Filter coefficients (followed by 8 bytes of data)
 - 0111 FRR-Filter coefficients (followed by 8 bytes of data)
 - 1000 AX-Filter coefficients (followed by 4 bytes of data)
 - 1001 AR-Filter coefficients (followed by 4 bytes of data)
 - 1100 TG1-Filter coefficients (followed by 4 bytes of data)
 - 1101 TG2-Filter coefficients (followed by 4 bytes of data)

Programming the SICOFI®-4

3.6 How to Program the Filter Coefficients

TH-Filter: Four sets of TH-filter coefficients can be loaded to the SICOFI-4. Each of the four sets can be selected for any of the four SICOFI-4 channels, by setting the value of TH-Sel in configuration register CR2. Coefficient set 1 is loaded to the SICOFI-4 via channel 1, set 2 is loaded via channel 2 and so on.

AX, AR, IM,

FRX, FRR-Filter: An individual coefficient set is available for each of the four channels

Tone-generators: An individual coefficient set is available for each of the four channels

An **independent set** of coefficients is available for all the four channels, for all the filters and Tone-Generators. So AX, AR, FRR, FRX, IM and TG1 and TG2 behave like AX and AR-filters in Version V1.*.

The programming flexibility for the **TH-filter was not changed** from Version V1.* to Version V2.*. Four sets of TH-filter coefficients can be loaded to the SICOFI-4. Each of the four sets can be selected for any of the four SICOFI-4 channels, by setting the value of TH-SEL in configuration register CR2. Coefficients set #1 is loaded to the SICOFI-4 via channel 1, set #2 is loaded via channel 2 and so on.

Note: After RESET coefficient set #1 is used for all of the four channels, as all bits in configuration register CR2 are set to '0'.

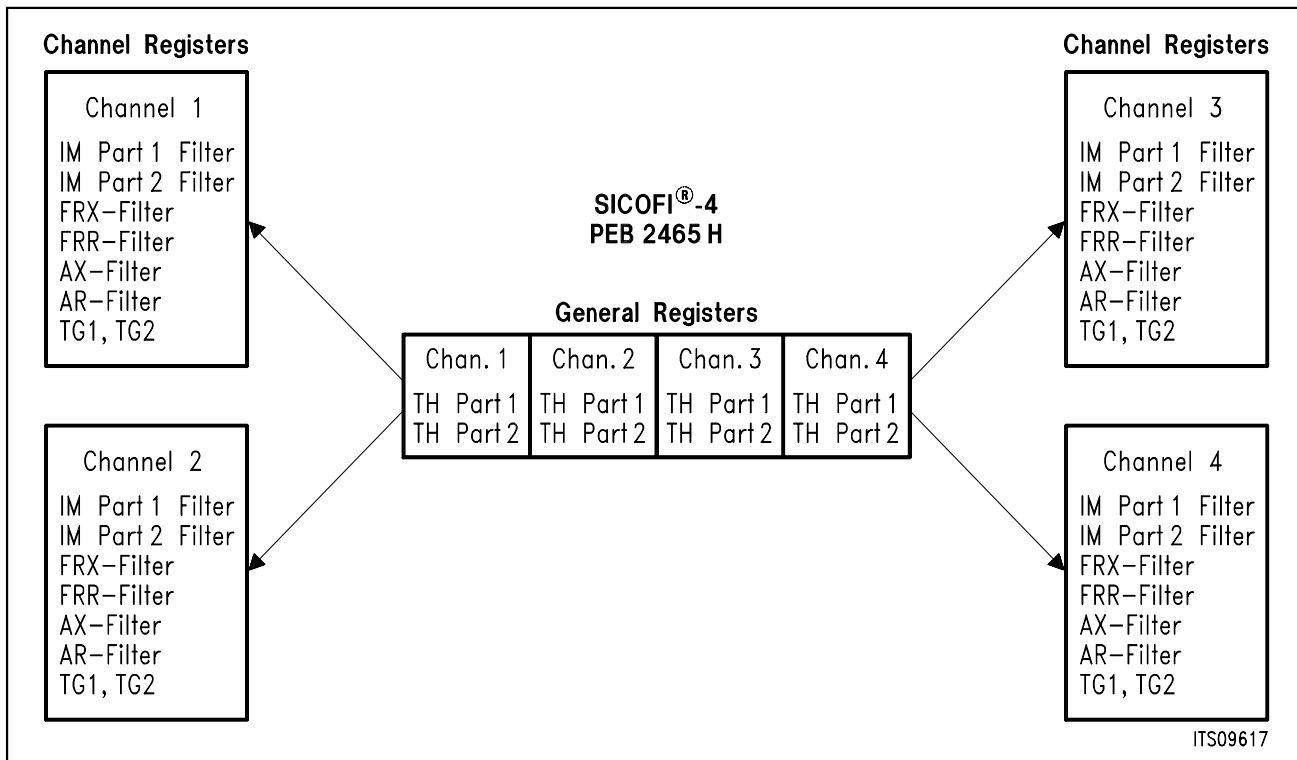


Figure 9 Channel Registers

Programming the SICOFI®-4

3.7 XOP Command

With the XOP command the SICOFI-4 C/I channel is configured and evaluated. The XR registers are valid for two voice channels 1, 2 or 3, 4 , depending on the selected IOM-2 timeslot¹⁾ (i.e. TS0+TS1: channel 1, 2 in TS0, channel 3, 4 in TS1).

Bit	7	6	5	4	3	2	1	0
	0	RW	0	1	1	LSEL2	LSEL1	LSEL0

RW Read / Write Information: Enables reading from the SICOFI-4 or writing information to the SICOFI-4
 RW = 0 Write to SICOFI-4
 RW = 1 Read from SICOFI-4

LSEL Length select information, for setting the number of subsequent data bytes
 LSEL = 000 0 bytes of data are following
 LSEL = 001 1 byte of data is following (XR1)
 LSEL = 010 2 bytes of data are following (XR2, XR1)
 LSEL = 011 3 bytes of data are following (XR3, XR2, XR1)
 LSEL = 100 4 bytes of data are following (XR4, XR3, XR2, XR1)

3.7.1 XR1 Extended Register 1²⁾

Bit	7	6	5	4	3	2	1	0
	SB2[4]_1	SB2[4]_0	SI2[4]_03 ³⁾	SI2[4]_0 ³⁾	SB1[3]_1	SB1[3]_0	SI1[3]_0 ³⁾	SI1[3]_0 ³⁾

SB2[4]_1 status of pin SB2[4]_1 is transferred to the upstream master device
SB2[4]_0 status of pin SB2[4]_0 is transferred to the upstream master device
SI2[4]_0 status of pin SI2[4]_0 is transferred to the upstream master device
SB1[3]_1 status of pin SB1[3]_1 is transferred to the upstream master device
SB1[3]_0 status of pin SB1[3]_0 is transferred to the upstream master device
SI1[3]_0 status of pin SI1[3]_0 is transferred to the upstream master device

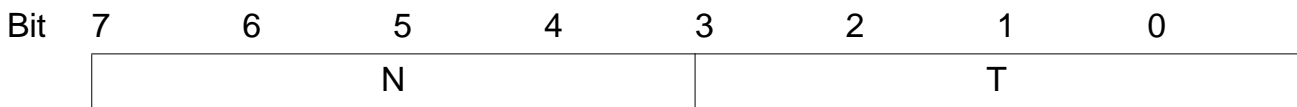
¹⁾ IOM-2 timeslots TS0+TS1, TS2+TS3, TS4+TS5 or TS6+TS7, by pin-strapping the pins TSS0 and TSS1 (see pages 19 and 20)

²⁾ Register XR1 can be read only.

³⁾ Bits SI1[3]_0 and SI2[4]_0 have special meaning depending on contents of XR2 (see page 39).

3.7.2 XR2 Extended Register 2

Register XR2 configures the data-upstream command/indication channel.



Upstream Update Interval N

To restrict the rate of upstream C/I-bit changes, deglitching (persistence checking) of the status information from the SLIC may be applied. New status information will be transmitted upstream, after it has been stable for N milliseconds. N is programmable in the range of 1 to 15 ms in steps of 1 ms, with N = 0 the deglitching is disabled.

Table 3

Field N				Update Interval Time
0	0	0	0	Deglitching is disabled
0	0	0	1	Upstream transmission after 1 ms
0	0	1	0	Upstream transmission after 2 ms
.
.
1	1	1	0	Upstream transmission after 14 ms
1	1	1	1	Upstream transmission after 15 ms

Detector Select Sampling Interval T

SLICs with multiplexed loop- and ground-key-status, which have a single status output pin for carrying the loop- and ground-key-status information, need a special detector select input.

Table 4

Field T				Time Interval T between Detector Selected High States
0	0	0	0	Detector select output LGKM0,1 program. to 0 permanently
0	0	0	1	Time interval T is 1 ms
0	0	1	0	Time interval T is 2 ms
.
.
1	1	1	0	Time interval T is 14 ms
1	1	1	1	Detector select output LGKM0,1 is program. to 1 permanently

LGKM0[1] is detector select output for channel 1[3] and 2[4]

SLICs with Multiplexed Loop/Ground Key Detect

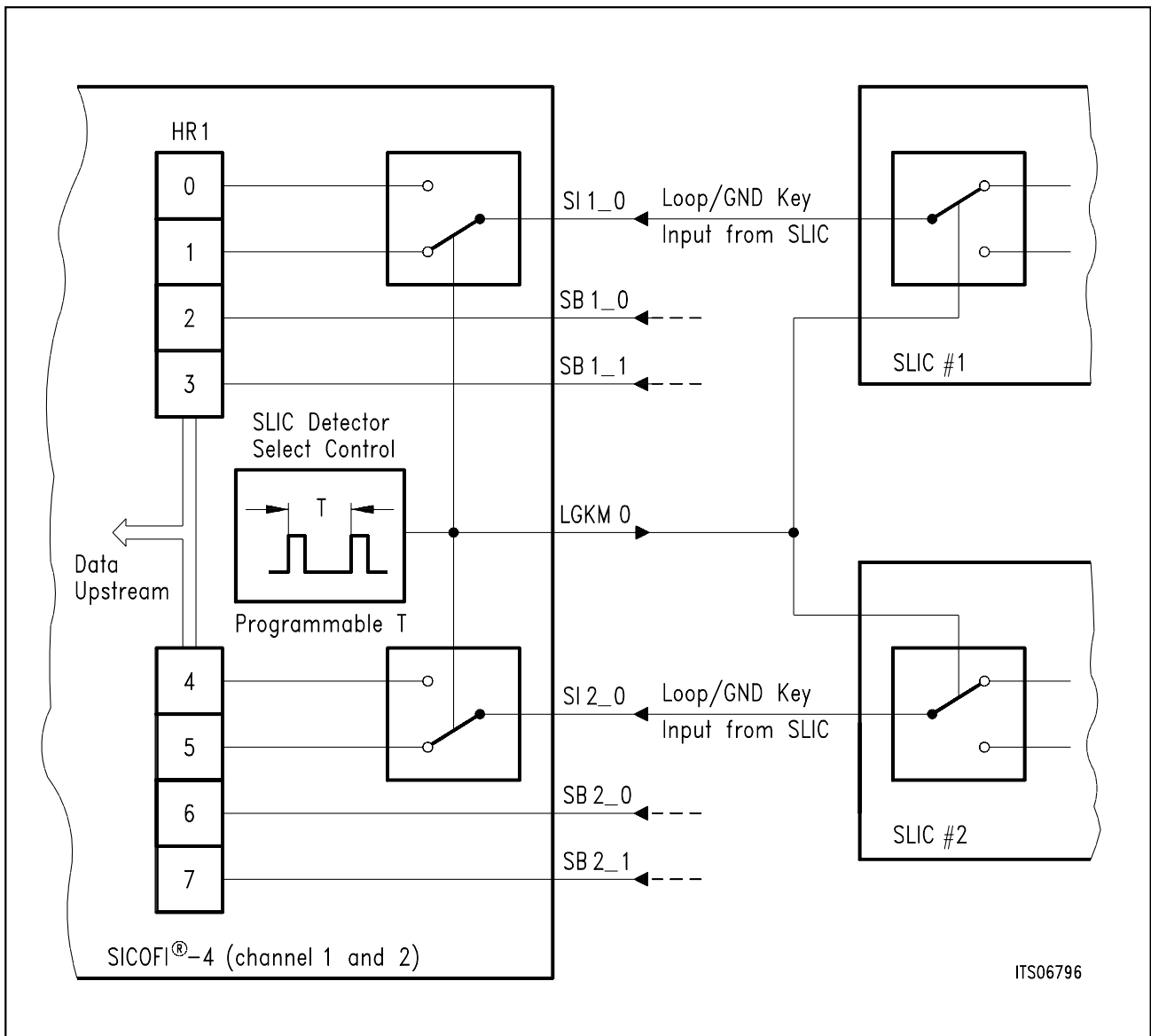


Figure 10

SICOFI-4 pins LGKM0,[1] are detector select outputs. These command output pins are normally set to logical '0', such that the SLIC outputs loop status, which is passed to XR1 - bits 0 and 4 via indication pins SI1_0 and SI2_0.

Every T milliseconds, the detector select outputs change to logical '1' for a time of 125 μs (Period FSC). During this time the ground key status is read from the SLIC and transferred upstream using XR1 - bits 1 and 5 via indication pins SIx_0 and Sly_0.

The time interval T is programmable from 1 ms to 14 ms in 1 ms steps. It is possible to program the output to be permanently logical '0' or '1'.

Programming the SICOFI®-4

3.7.3 XR3 Extended Register 3

This register controls the direction of the programmable C/I pins.

Bit	7	6	5	4	3	2	1	0
	PSB2[4]_1	PSB2[4]_0	0	0	PSB1[3]_1	PSB1[3]_0	0	0

PSB2[4]_1 Programmable bi-directional C/I pin SB2[4]_1 is programmed
 PSB2[4]_1 = 0: pin SB2[4]_1 is indication input
 PSB2[4]_1 = 1: pin SB2[4]_1 is command output

PSB2[4]_0 Programmable bi-directional C/I pin SB2[4]_0 is programmed
 PSB2[4]_0 = 0: pin SB2[4]_0 is indication input
 PSB2[4]_0 = 1: pin SB2[4]_0 is command output

PSB1[3]_1 Programmable bi-directional C/I pin SB1[3]_1 is programmed
 PSB1[3]_1 = 0: pin SB1[3]_1 is indication input
 PSB1[3]_1 = 1: pin SB1[3]_1 is command output

PSB1[3]_0 Programmable bi-directional C/I pin SB1[3]_0 is programmed
 PSB1[3]_0 = 0: pin SB1[3]_0 is indication input
 PSB1[3]_0 = 1: pin SB1[3]_0 is command output

3.7.4 XR4 Extended Register 4

This register holds the offset value for the level metering function. It is only available via the first used timeslot.

Bit	7	6	5	4	3	2	1	0
	OF7	OF6	OF5	OF4	OF3	OF2	OF1	OF0

4 SLIC Interface

The signaling connection between SICOFI-4 and a SLIC is performed by the SICOFI-4 command/indication pins. Data received from the downstream C/I byte are inverted and transferred to command output pins (SB, SO). Data on input pins (SI, SB) are inverted and transferred to the upstream C/I-byte.

4.1 IOM[®]-2 Interface Command/Indication Byte

The SICOFI-4 offers a 8 pin parallel command/indication SLIC interface per channel

- Indication input pins:** Slx_0, Slx_1 Slx_2
- Command output pins:** SOx_0, SOx_1, SOx_2
- Program. command/indication pins:** SBx_0, SBx_1 (with x: 1 ... 4)

Data present at Slx_0, Slx_1, Slx_2 and SBx_0, SBx_1 (if programmed as input) are sampled, inverted and transferred upstream. Data received downstream from IOM-2 interface are latched, inverted and fed to SOx_0, SOx_1, SOx_2 and SBx_0, SBx_1 (if output).

4.2 Data-downstream C/I Channel Byte Format (receive)

The IOM-2 channel contains 6 bits (for two voice channels) in both directions for analog devices like the SICOFI-4. As the SICOFI-4 has up to five command output pins per channel (depending on XR3) it is not possible to send commands to all pins at a time. So C/I-channel bit 5 is used as an address bit to select the channel for the command data on C/I-channel bits 4 ... 0.

General Case:

Bit	5	4	3	2	1	0
	AD	SBx_1	SBx_0	SOx_2	SOx_1	SOx_0

Example for SICOFI-4 channels 1 and 2 (IOM-2 timeslot 0):

4.3 Data Upstream C/I Channel Byte Format (transmit)

Bit	5	4	3	2	1	0
	1	SB1_1 ¹⁾	SB1_0 ¹⁾	SO1_2	SO1_1	SO1_0

Bit	5	4	3	2	1	0
	0	SB2_1 ¹⁾	SB2_0 ¹⁾	SO2_2	SO2_1	SO2_0

¹⁾ If SBx_y is programmed as command output.

SLIC Interface

As the C/I-channel holds only 6 bits for two voice channels and the SICOFI-4 has up to five indication pins per voice channel, only pins SI1_1 and SI1_2 for voice channel 1, and pins SI2_1 and SI2_2 for voice channel 2 are fed directly to the C/I-channel. Any change at one of the other indication pins (SIx_0, SBx_0 and SBx_1) will generate an interrupt per channel, which is transmitted upstream immediately (C/I-channel bits 2 and 5). Data on those pins is fed to register XR1 and can be evaluated with a XOP-read command.

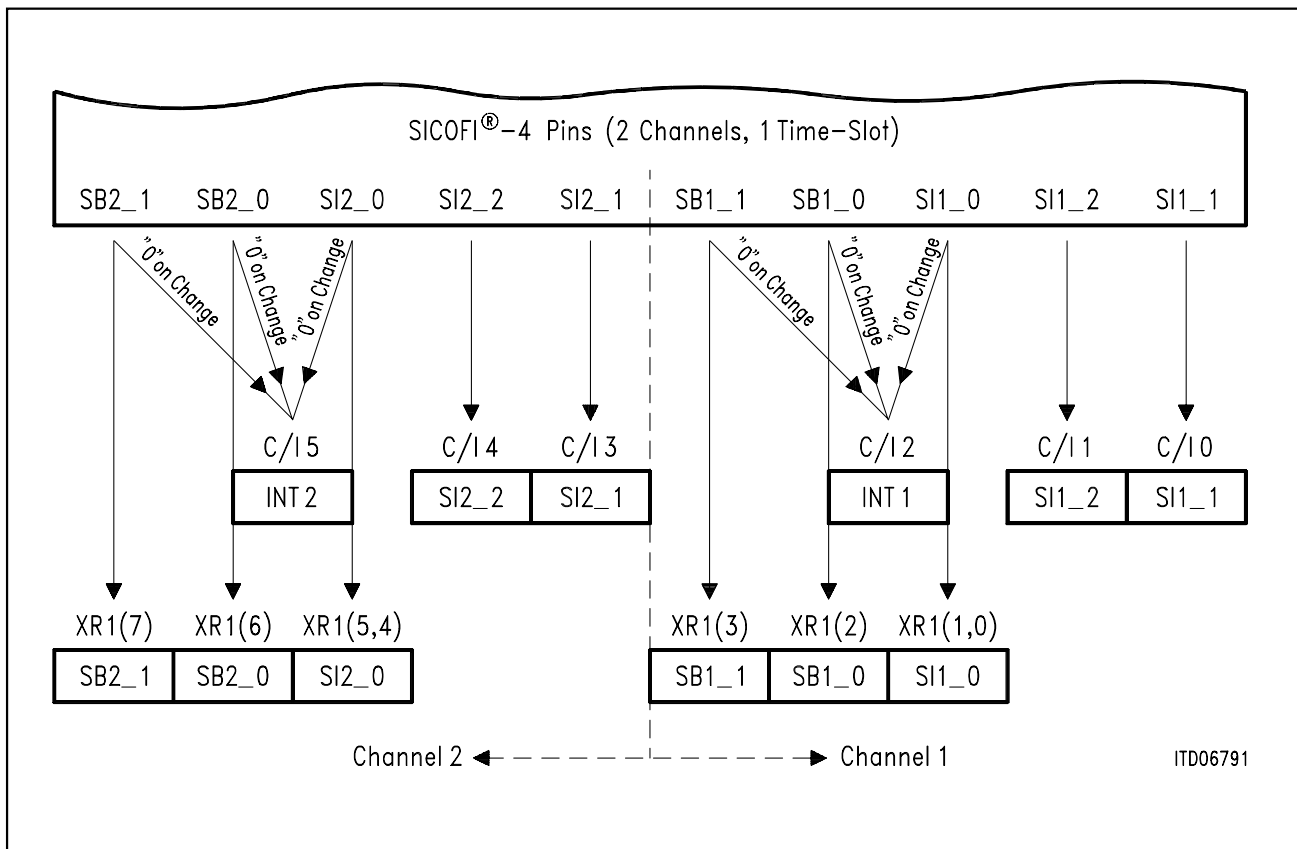
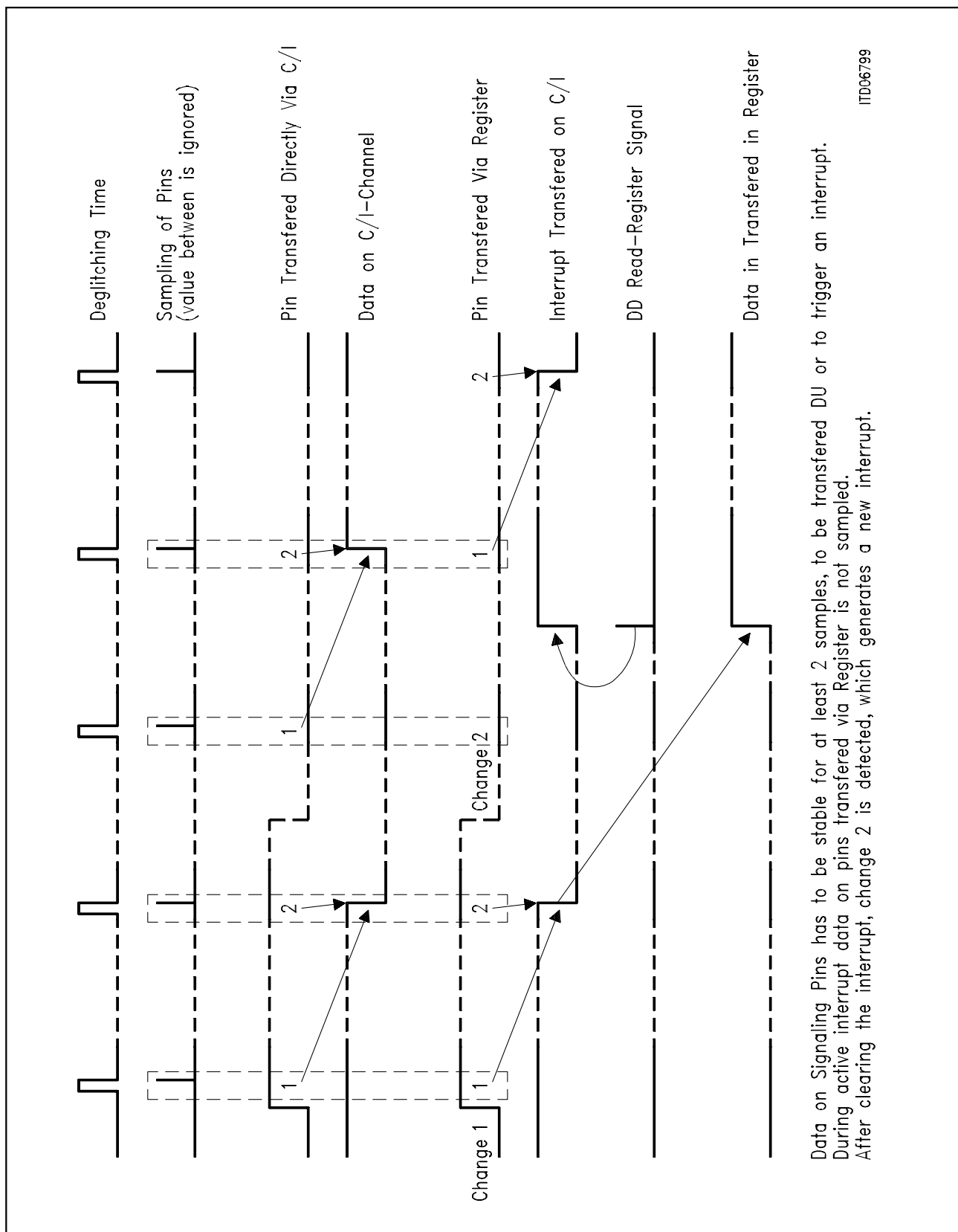


Figure 11

There was a functional connection between two neighboring channels sharing the same C/I-channel of an IOM-2 interface in V1.*. When an interrupt occurred in the C/I-channel, changes on all signaling input pins of this channel and of the neighboring channel were ignored, until the interrupt was cleared.

In Version V2.* this **functional connection no longer exists**. If an interrupt occurs in one channel, changes in the neighboring channel will also generate an interrupt.



Data on Signaling Pins has to be stable for at least 2 samples, to be transferred DU or to trigger an interrupt. During active interrupt data on pins transferred via Register is not sampled. After clearing the interrupt, change 2 is detected, which generates a new interrupt.

ITD06799

Figure 12
Data Flow

5 Operating Modes

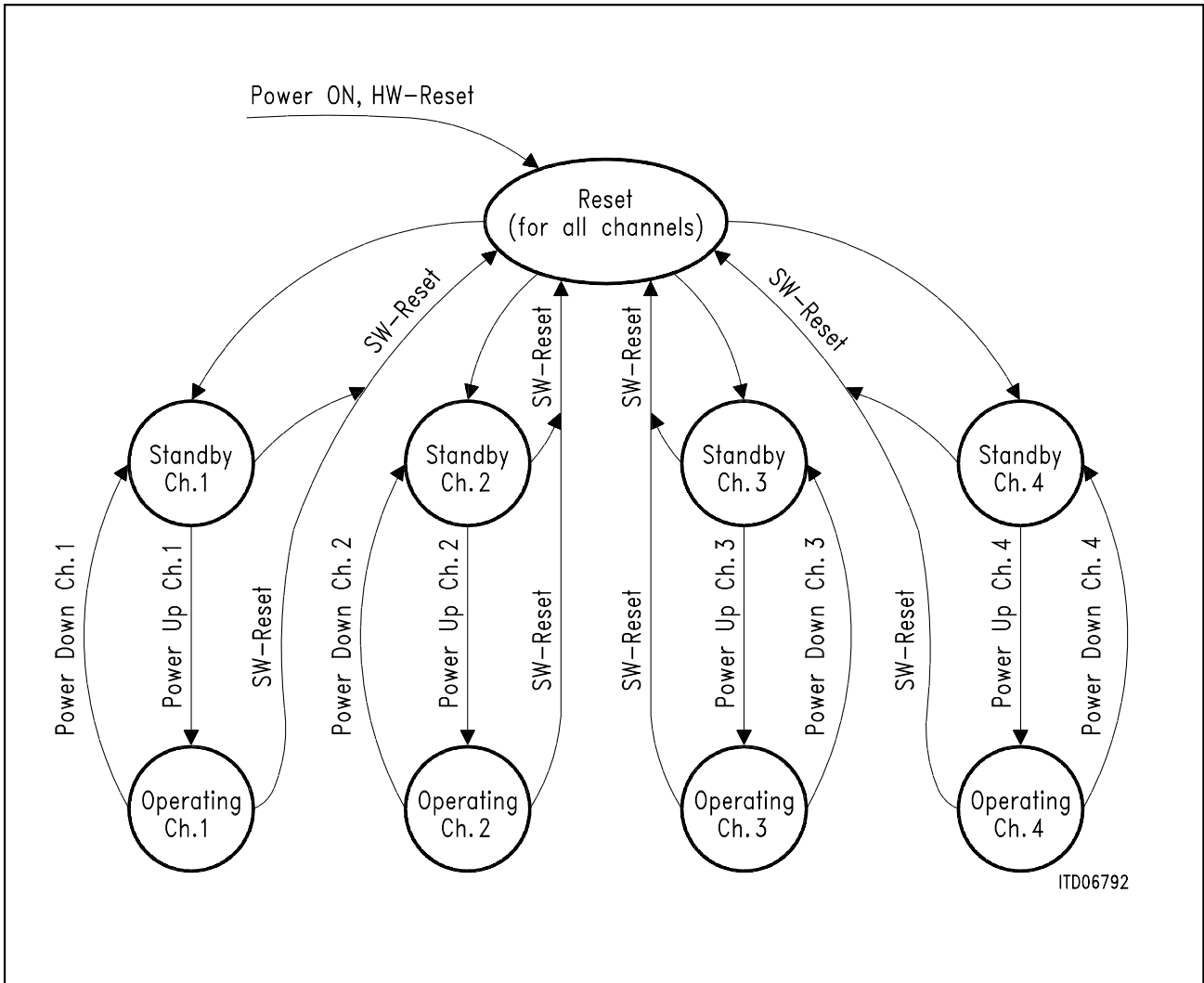


Figure 13

5.1 RESET (Basic setting mode)

Upon initial application of V_{DD} or resetting pin RESET to '1' during operation, or by software-reset (see COP command, page 35), the SICOFI-4 enters a basic setting mode. Basic setting means, that the SICOFI-4 configuration registers CR1 ... CR4 and XR1 ... XR3 are initialized to '0' for all channels.

All programmable filters are disabled, A-law is chosen, all programmable command/indication pins are inputs. The two tone generators as well as any testmodes are disabled. There is no persistence checking. Receive signaling registers are cleared. DU-pin is in high impedance state, the analog outputs and the signaling outputs are forced to ground.

Operating Modes

Table 5

CR1 ... CR4	00 Hex
XR1 ... XR4	00 Hex
Coefficient RAM	not defined
Command Stack	cleared
DD-input	ignored
DU-output	high impedance
$V_{OUT1, 2, 3, 4}$	GNDA1, 2, 3, 4
SBx_y	Input
SOx_y	GNDD

If any voltage is applied to any input-pin before initial application of V_{DD} , the SICOFI-4 may not enter the basic setting mode. In this case it is necessary to reset the SICOFI-4 or to initialize the SICOFI-4 configuration registers to '0'.

The SICOFI-4 leaves this mode automatically with the beginning of the next 8 kHz frame (RESET-pin is released).

5.2 Standby Mode

After releasing the RESET-pin, (RESET-state), beginning with the next 8 kHz frame, the SICOFI-4 will enter the Standby mode. The SICOFI-4 is forced to standby mode with the PWRUP bit set to '0' in the SOP command (POWERDOWN). All 4 channels must be programmed separately. During standby mode the serial SICOFI-4 IOM-2 interface is ready to receive and transmit commands and data. Received voice data on DD-pin will be ignored. SICOFI-4 configuration registers and coefficient ram can be loaded and read back in this mode. Data downstream C/I-channel data is fed to appropriate Command pins. Data on indication pins is transmitted Data upstream.

Table 6

IOM-2 Voice Channels	'11111111' (idle)
$V_{OUT1, 2, 3, 4}$	GNDA1, 2, 3, 4

5.3 Operating Mode

The operating mode for any of the four channels is entered upon recognition of a PWRUP bit set to '1' in a SOP command for the specific channel.

6 Programmable Filters

Based on an advanced digital filter concept, the PEB 2465 provides excellent transmission performance and high flexibility. The new filter concept leads to a maximum independence between the different filter blocks.

6.1 Impedance Matching Filter

- Realization by 3 different loops
 - 4 MHz: Multiplication by a constant (12 bit)
 - 128 kHz: Wave Digital Filter (IIR) (60 bit)
(improves low frequency response)
 - 64 kHz: FIR-Filter (48 bit)
(for fine-tuning)
- Improved stability behavior of feedback loops
- Real part of termination impedance positive under all conditions
- Improved overflow performance for transients
- Return loss better 30 dB

6.2 Transhybrid Balancing (TH) Filter

- New concept: 2 loops at 16 kHz
- Flexible realization allows optimization of wide impedance range
- Consists of a fixed and a programmable part
 - 2nd order Wave Digital Filter (IIR) (106 bit)
(improves low frequency response)
 - 7-TAP FIR-Filter (84 bit)
(for fine-tuning)
- Trans-Hybrid-Loss better 30 dB (typically better 40 dB, device only)
- Adaptation to different lines by:
 - Easy selection between four different downloaded coefficient sets

6.3 Filters for Frequency Response Correction

- For line equalization and compensation of attenuation distortion
- Improvement of Group-Delay-Distortion by using minimum phase filters (instead of linear phase filters)
- FRR filter for correction of receive path distortion
 - 5 TAP programmable FIR filter operating at 8 kHz (60 bit)
- FRX filter for correction of transmit path distortion
 - 5 TAP programmable FIR filter operating at 8 kHz (60 bit)
- Frequency response better 0.1 dB

Programmable Filters**6.4 Amplification/Attenuation-Filters AX1, AX2, AR1, AR2**

- Improved level adjustment for transmit and receive
- Two separate filters at each direction for
 - Improved trans-hybrid balancing
 - Optimal adjustment of digital dynamic range
 - Gain adjustments independent of TH-filter

6.5 Amplification/Attenuation Receive (AR1, AR2)-Filter

Step size for AR-Filter	range 3 ... – 14 dB:	step size 0.02 ... 0.05 dB
	range – 14 ... – 24 dB:	step size 0.5 dB

6.6 Amplification/Attenuation Transmit (AX1, AX2)-Filter

Step size for AX-Filter	range – 3 ... 14 dB:	step size 0.02 ... 0.05 dB
	range 14 ... 24 dB:	step size 0.5 dB

7 QSICOS Software

The QSICOS-software has been developed to help to obtain an optimized set of coefficients both quickly and easily. The QSICOS program runs on any PC with at least 575 Kbytes of memory. This also requires MS-DOS Version 5.0 or higher, as well as extended memory.

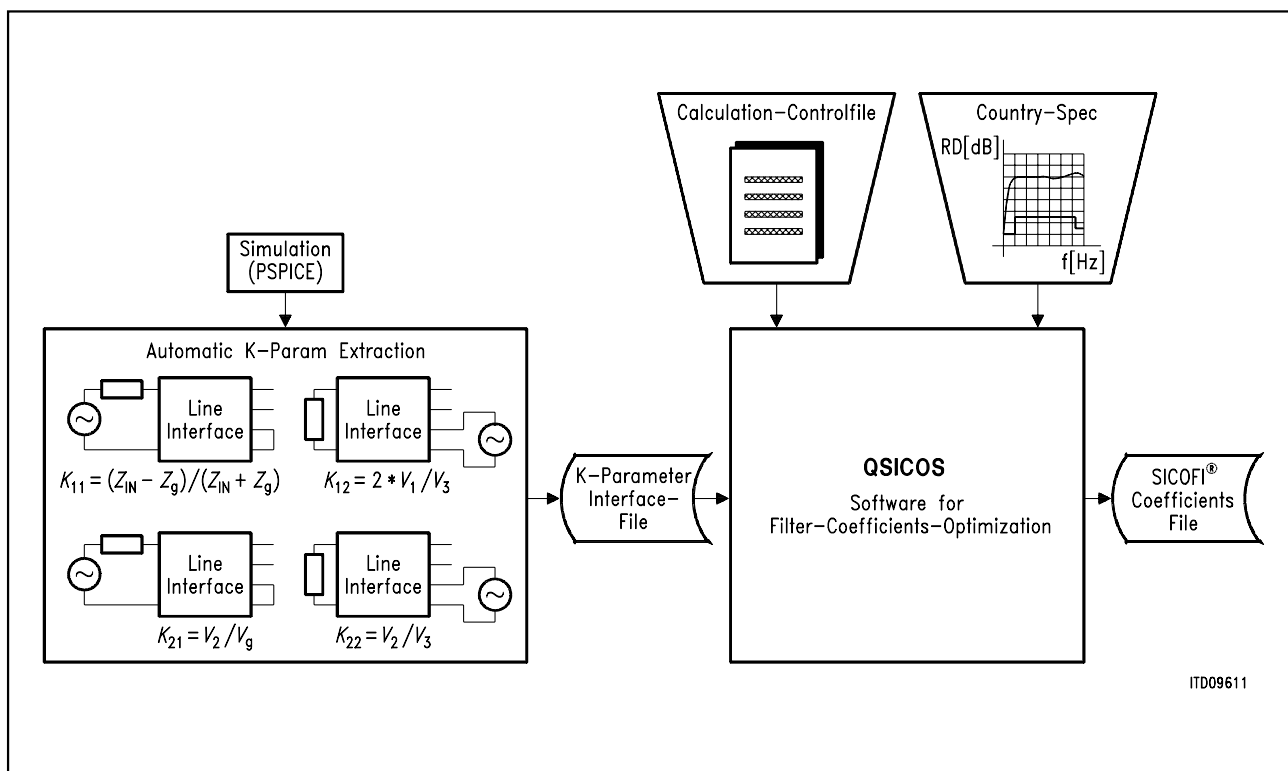


Figure 14

7.1 QSICOS Supports

- **Calculation of coefficients for the**
 - Impedance Filter (IM) for return loss calculation
 - FRR and FRX-Filters for frequency response in receive and transmit path
 - AR1, AR2 and AX1, AX2-Filter for level adjustment in receive and transmit path
 - Trans-Hybrid Balancing Filter (TH) and
 - two programmable tone generators (TG 1 and TG 2)
- **Simulation of the PEB 2465 and SLIC system** with fixed filter coefficients allows simulations of tolerances which may be caused e.g. by discrete external components.
- **Graphical output of transfer functions to the screen** for
 - Return Loss
 - Frequency responses in receive and transmit path
 - Transhybrid Loss
- **Calculation of the PEB 2465 and SLIC system stability.** The IM-Filter of the PEB 2465 adjust the total system impedance by making a feedback loop. Because the line is also a part of the total system, a very robust method has to used to avoid oscillations and to ensure system stability. The input impedance of the PEB 2465 and SLIC combination is calculated. If the real part of the system input impedance is positive, the total system stability can be guaranteed.

Transmission Characteristics

8 Transmission Characteristics

The proper adjustment of the programmable filters (transhybrid balancing, impedance matching, frequency-response correction) needs a complete knowledge of the SICOFI-4's analog environment, and it is suggested to use the QSICOS-program for calculating the appropriate coefficients. Unless otherwise stated, the transmission characteristics are guaranteed within the test conditions.

Test Conditions

$T_A = 0\text{ °C to }70\text{ °C}$; $V_{DD} = 5\text{ V} \pm 5\%$; $GNDA1 \dots 4 = GNDD = 0\text{ V}$;

$R_L^{1)}$ $> 20\text{ k}\Omega$; $C_L < 20\text{ pF}$;

$H(IM) = H(TH) = 0$; $H(R1) = H(FRX) = H(FRR) = 1$;

HPR and HPX enabled;

$AR^{2)}$ = 0 to -13 dB for sine-wave-, and
0 to -11 dB for CCITT-noise-measurements

$AX^{3)}$ = 0 to 13 dB for sine-wave-, and
0 to 11 dB for CCITT-noise-measurements

$f = 1014\text{ Hz}$; 0 dBm_0 ; A-Law or μ -Law;

$AGX = 0\text{ dB}$, 6.02 dB , $AGR = 0\text{ dB}$, -6.02 dB ;

In Transmit direction for μ -law an additional gain of 1.94 dB is implemented automatically, in the companding block (CMP). This additional gain has to be considered at all gain calculations, and reduces possible AX-gain.

A 0 dBm_0 ⁴⁾ signal is equivalent to $1.095\text{ [1.0906] Vrms}$. A $+3.14\text{ [3.17] dBm}_0$ signal is equivalent to 1.57 Vrms which corresponds to the overload point of 2.223 V (A-law, [μ -law]).

When the gain in the receive path is set at 0 dB , an 1014 Hz PCM sinewave input with a level 0 dBm_0 will correspond to a voltage of 1.095 Vrms at A-Law (1.0906 V μ -Law) at the analog output.

When the gain in the transmit path is set at 0 dB , an 1014 Hz sine wave signal with a voltage of 1.095 Vrms A-Law (1.0906 V μ -Law) will correspond to a level of 0 dBm_0 at the PCM output.

¹⁾ R_L, C_L forms the load on V_{OUT}

²⁾ Consider, in a complete System, $AR = AR1 + AR2 + FRR + R1$

³⁾ Consider, in a complete System, $AX = AX1 + AX2 + FRX$

⁴⁾ The absolute power level in decibels referred to the PCM interface levels.

Transmission Characteristics

Table 7
Transmission Characteristics

Parameter	Symbol	Limit Values			Unit
		min.	typ.	max.	
Gain absolute (AGX = AGR = 0) $T_A = 25\text{ °C}; V_{DD} = 5\text{ V}$ $T_A = 0 - 70\text{ °C}; V_{DD} = 5\text{ V} \pm 5\%$	G	- 0.15 - 0.25	± 0.10	+ 0.15 + 0.25	dB dB
Gain absolute (AGX = 6.02 dB, AGR = - 6.02 dB) $T_A = 25\text{ °C}; V_{DD} = 5\text{ V}$ $T_A = 0 - 70\text{ °C}; V_{DD} = 5\text{ V} \pm 5\%$	G	- 0.15 - 0.25	± 0.10	+ 0.15 + 0.25	dB dB
Harmonic distortion, 0 dBm0; $f = 1000\text{ Hz}; 2^{\text{nd}}, 3^{\text{rd}}$ order	HD		- 50	- 44	dB
Intermodulation ¹⁾ R2 R3	IMD IMD		- 46 - 56		dB dB
Crosstalk 0 dBm0; $f = 200\text{ Hz}$ to 3400 Hz any combination of direction and channel	CT		- 85	- 80	dB
Idle channel noise, transmit, A-law, psophometric $V_{IN} = 0\text{ V}$ transmit, μ -law, C-message $V_{IN} = 0\text{ V}$ receive, A-law, psophometric idle code + 0 receive, μ -law, C-message idle code + 0	N_{TP} N_{TC} N_{RP} N_{RC}			- 67.4 17.5 - 85 5	dBm0p dBmc dBm0p dBmc

¹⁾ Using equal-level, 4-tone method (EIA) at a composite level of - 13 dBm0 with frequencies in the range between 300 Hz and 3400 Hz.

Transmission Characteristics

8.1 Frequency Response

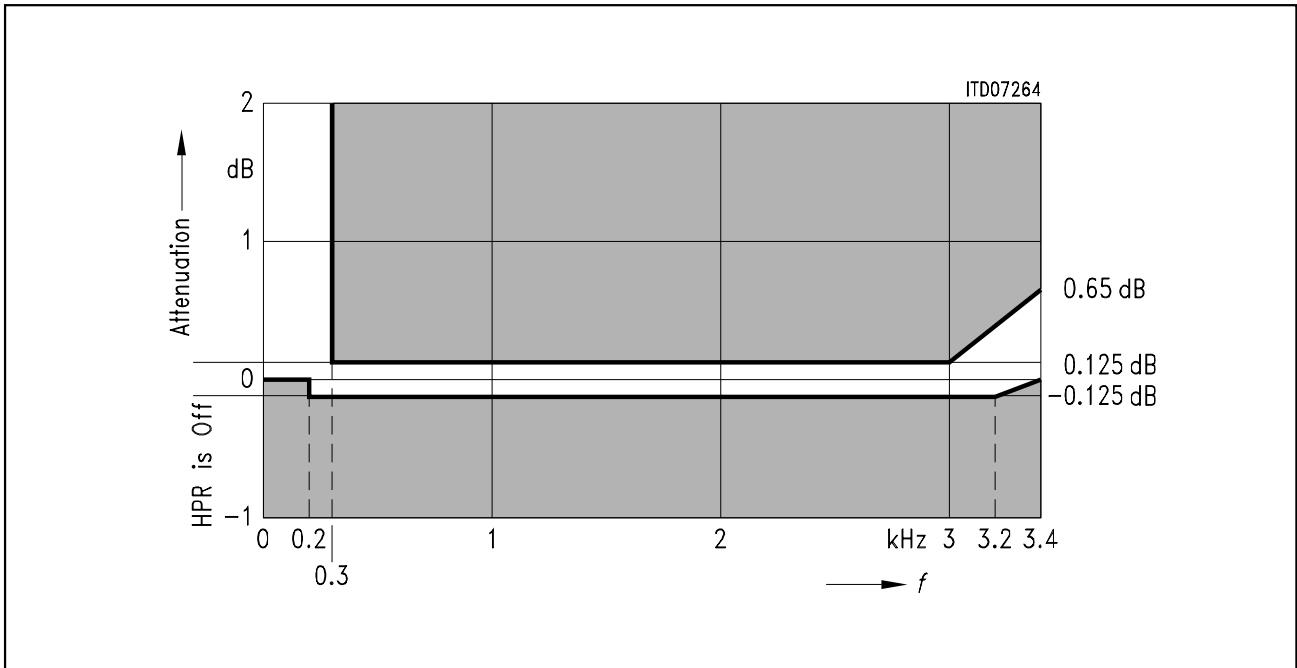


Figure 15
Receive: Reference Frequency 1 kHz, Input Signal Level 0 dBm0

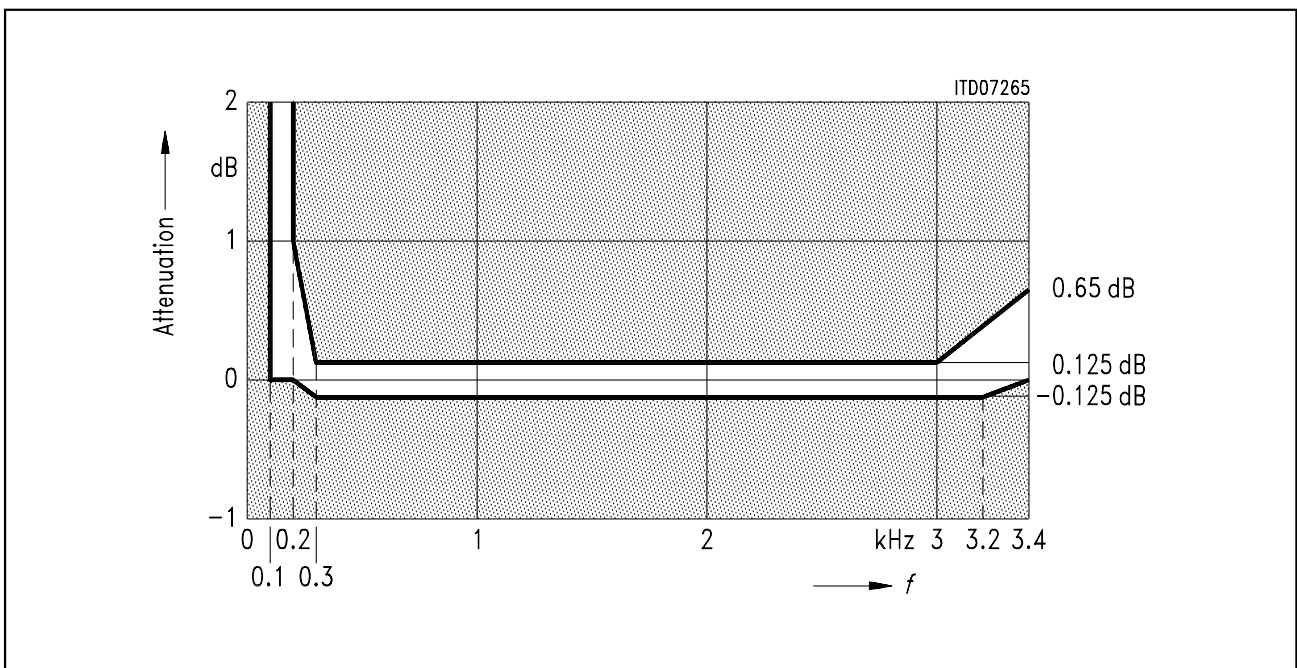


Figure 16
Transmit: Reference Frequency 1 kHz, Input Signal Level 0 dBm0

Transmission Characteristics

8.2 Group Delay

Maximum delays when the SICOFI-4 is operating with $H(\text{TH}) = H(\text{IM}) = 0$ and $H(\text{FRR}) = H(\text{FRX}) = 1$ including delay through A/D- and D/A converters. Specific filter programming may cause additional group delays.

Group Delay deviations stay within the limits in the figures below.

Table 8

Group Delay Absolute Values: Input signal level 0 dBm0

Parameter	Symbol	Limit Values			Unit	Reference
		min.	typ.	max.		
Transmit delay	D_{XA}			300.	μs	
Receive delay	D_{RA}			250	μs	

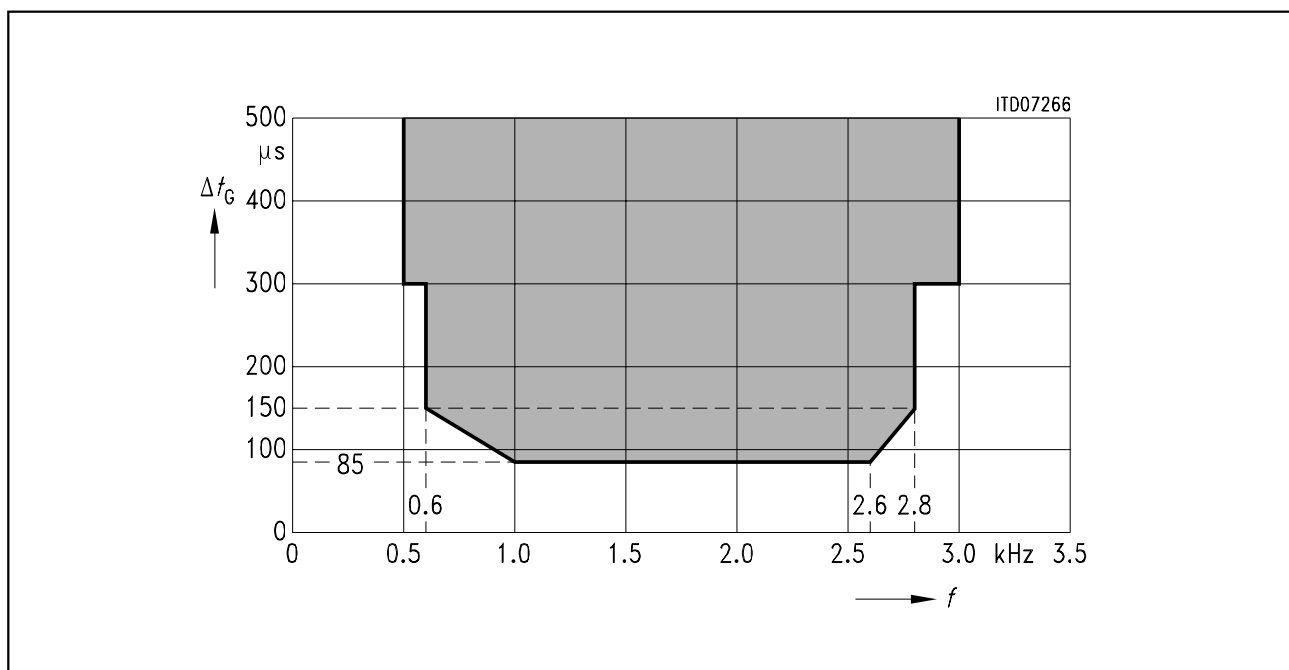


Figure 17

Group Delay Distortion Transmit: Input Signal Level 0 dBm0

Transmission Characteristics

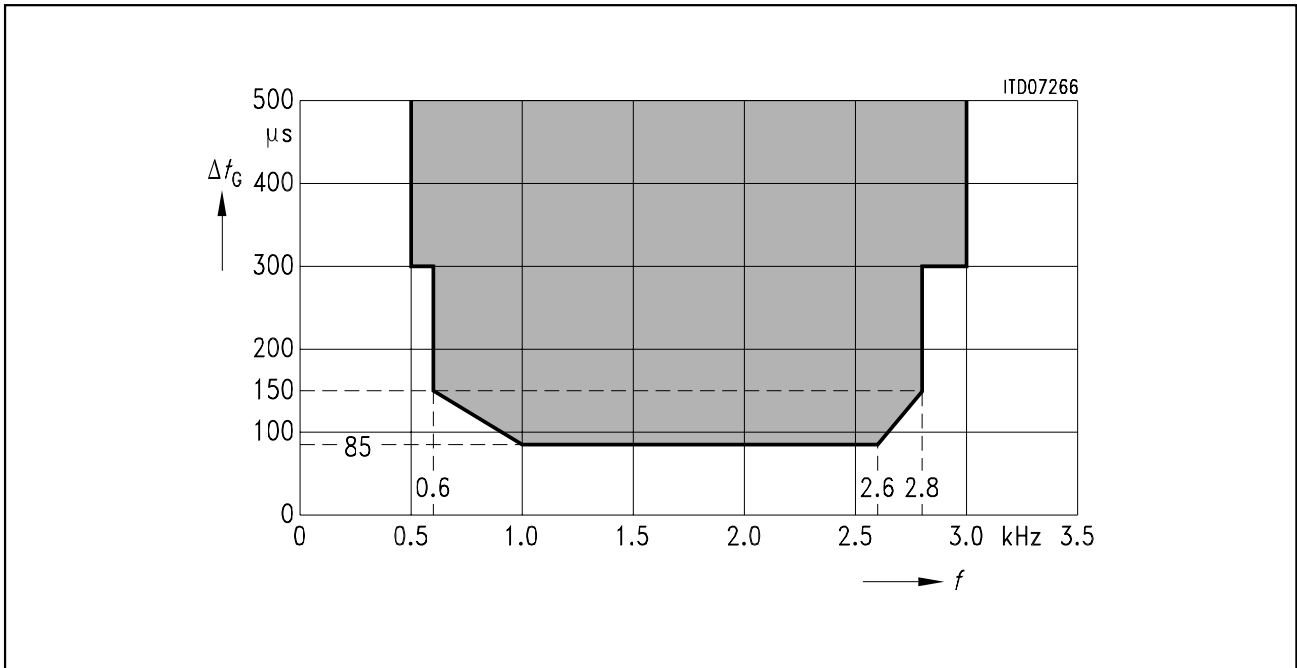


Figure 18
Group Delay Distortion Receive: Input Signal Level 0 dBm¹⁾

¹⁾ HPR is switched on: reference point is at t_{Gmin}
 HPR is switched off: reference is at 1.5 kHz

Transmission Characteristics

8.3 Out-of-Band Signals at Analog Input

With an 0 dBm0 out-of-band sine wave signal with frequency f ($\ll 100$ Hz or 3.4 kHz to 100 kHz) applied to the analog input, the level of any resulting frequency component at the digital output will stay at least X dB below a 0 dBm0, 1 kHz sine wave reference signal at the analog input¹⁾.

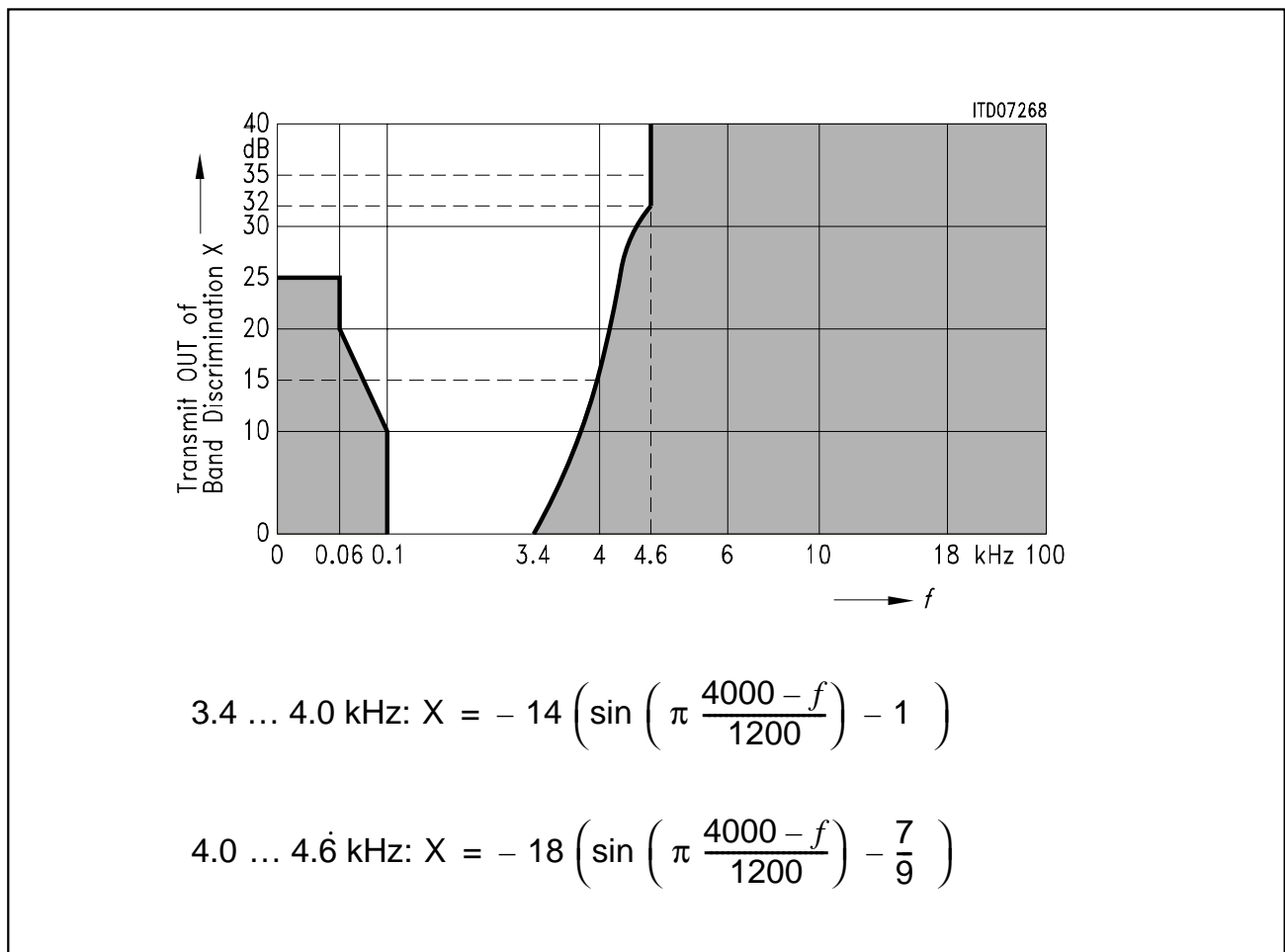


Figure 19

¹⁾ Poles at 12 kHz \pm 150 Hz and 16 kHz \pm 150 Hz are provided

Transmission Characteristics

8.4 Out-of-Band Signals at Analog Output

With a 0 dBm0 sine wave with frequency f (300 Hz to 3.99 kHz) applied to the digital input, the level of any resulting out-of-band signal at the analog output will stay at least X dB below a 0 dBm0, 1 kHz sine wave reference signal at the analog output.

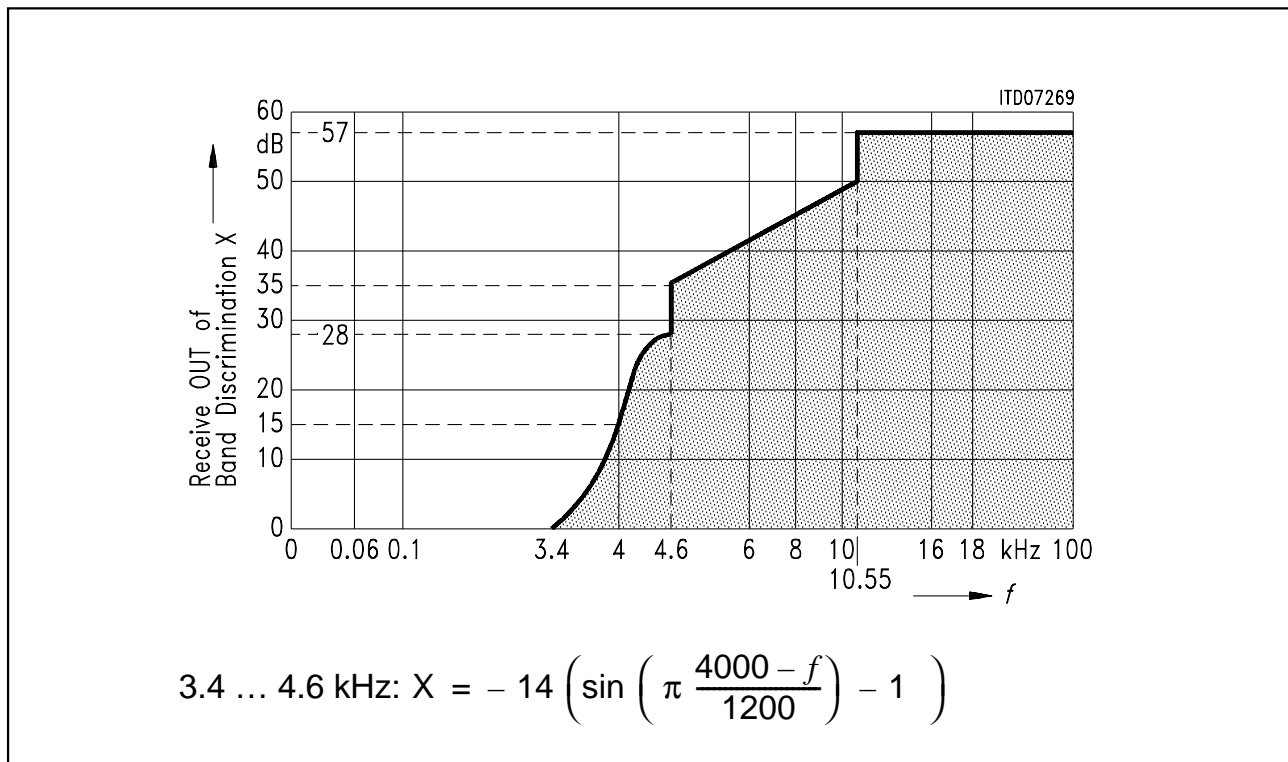


Figure 20

Transmission Characteristics

8.5 Out of Band Idle Channel Noise at Analog Output

With an idle code applied to the digital input, the level of any resulting out-of-band power spectral density (measured with 3 kHz bandwidth) at the analog output, will be not greater than the limit curve shown in the figure below.

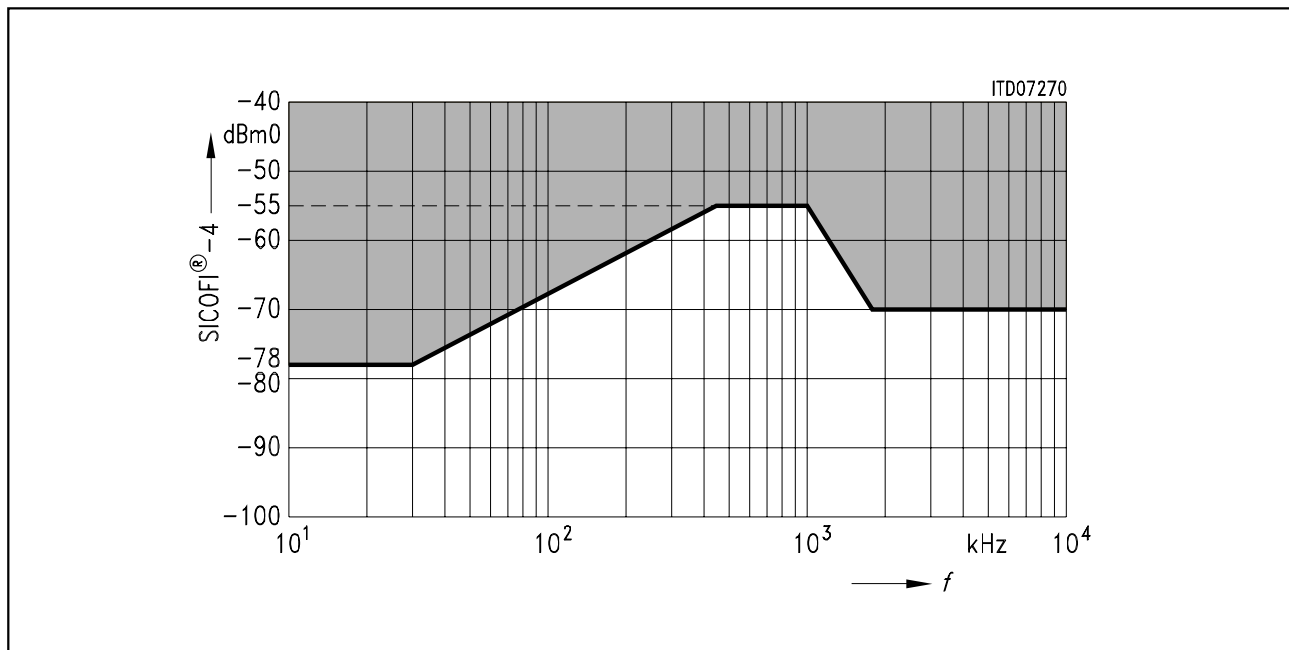


Figure 21

8.6 Overload Compression

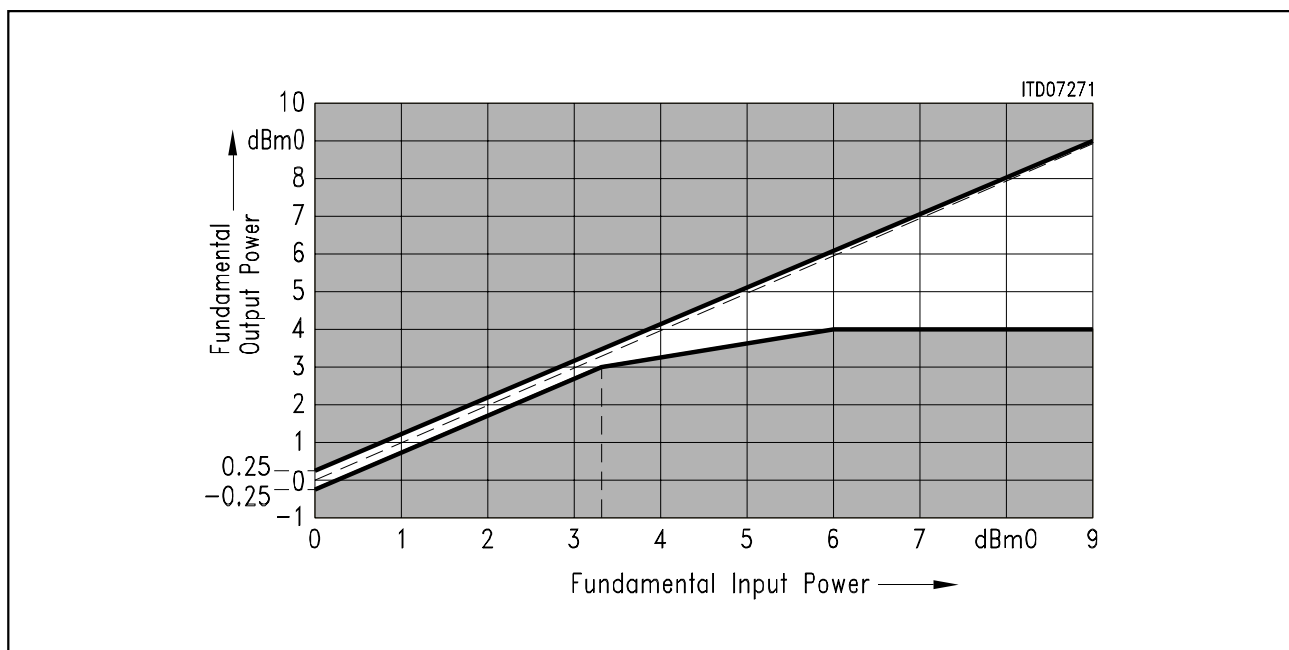


Figure 22

μ -Law, Transmit: measured with sine wave $f = 1014$ Hz.

Transmission Characteristics

8.7 Gain Tracking (receive or transmit)

The gain deviations stay within the limits in the figures below.

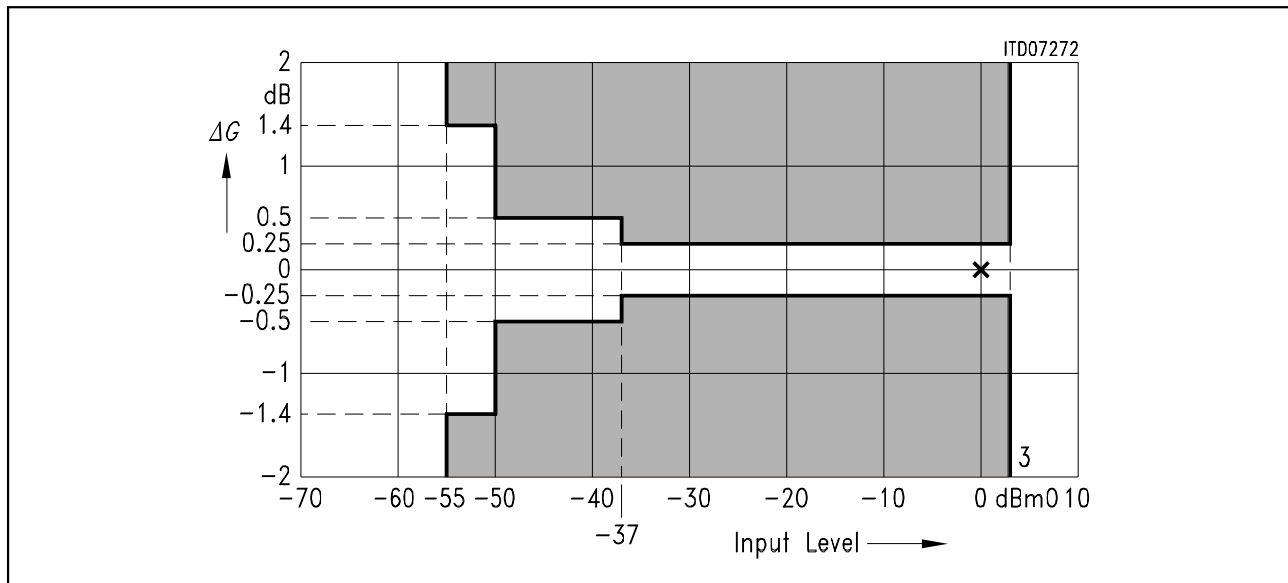


Figure 23

Gain Tracking: (measured with sine wave $f = 1014$ Hz, reference level is 0 dBm0)

8.8 Total Distortion

The signal to distortion ratio exceeds the limits in the following figure.

8.8.1 Total Distortion Measured with Sine Wave

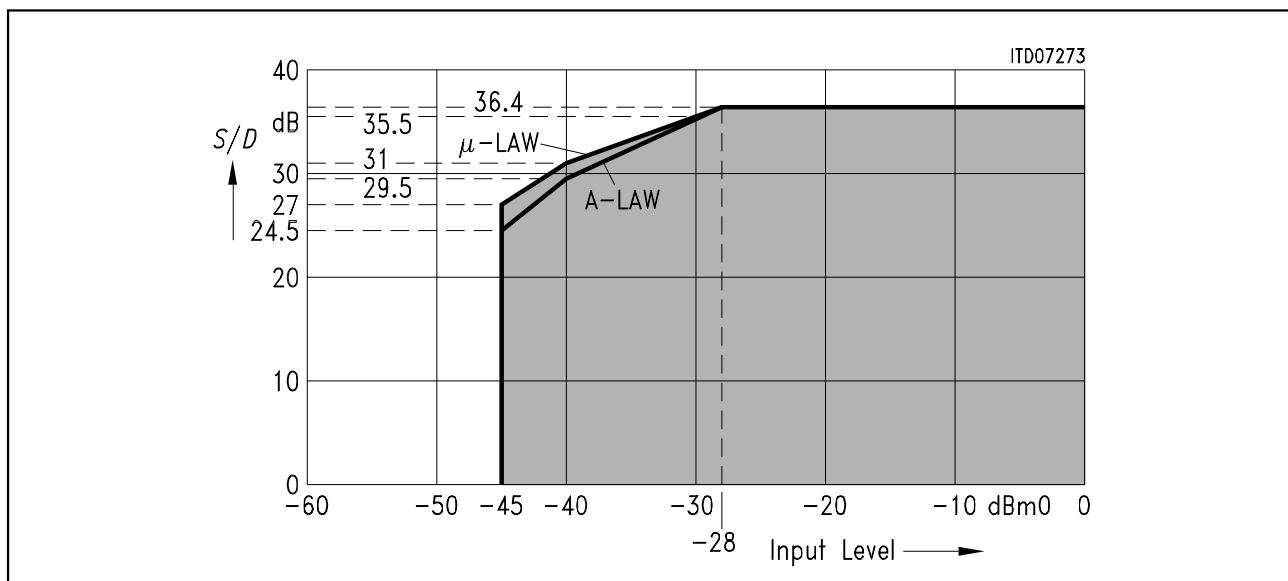


Figure 24

Receive or Transmit: measured with sine wave $f = 1014$ Hz. (C-message weighted for μ -law, psophometrically weighted for A-law)

Transmission Characteristics

8.8.2 Total Distortion Measured with Noise According to CCITT

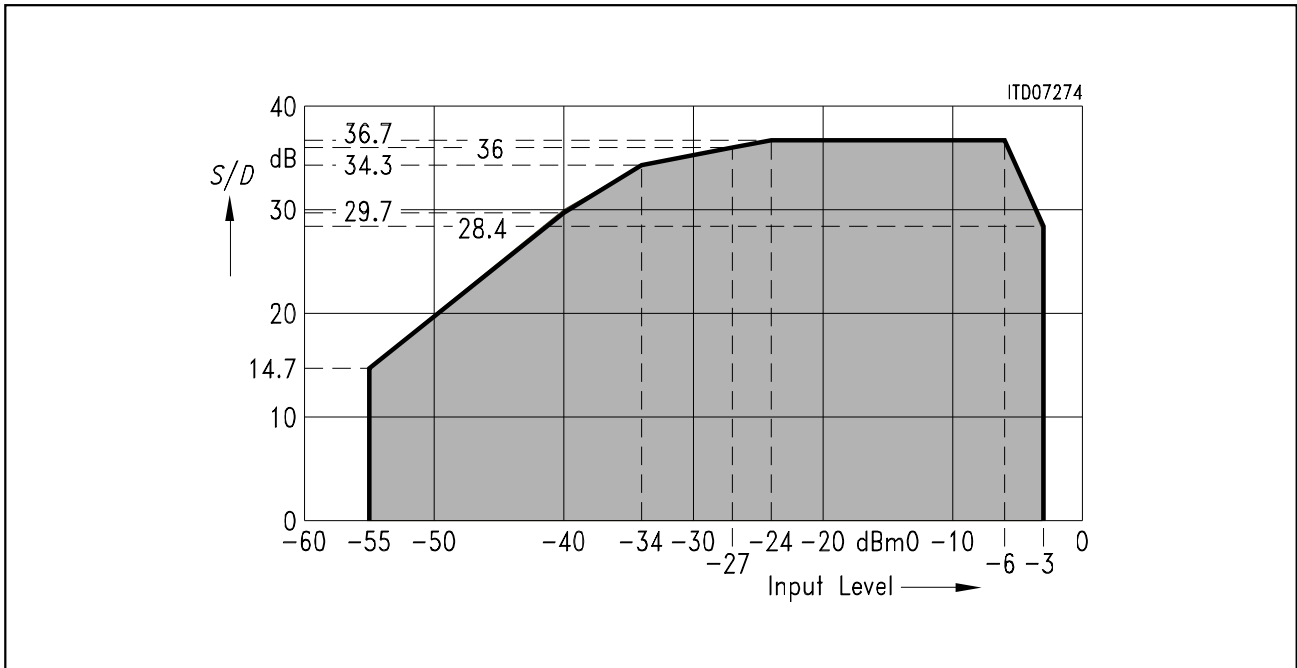


Figure 25
Receive

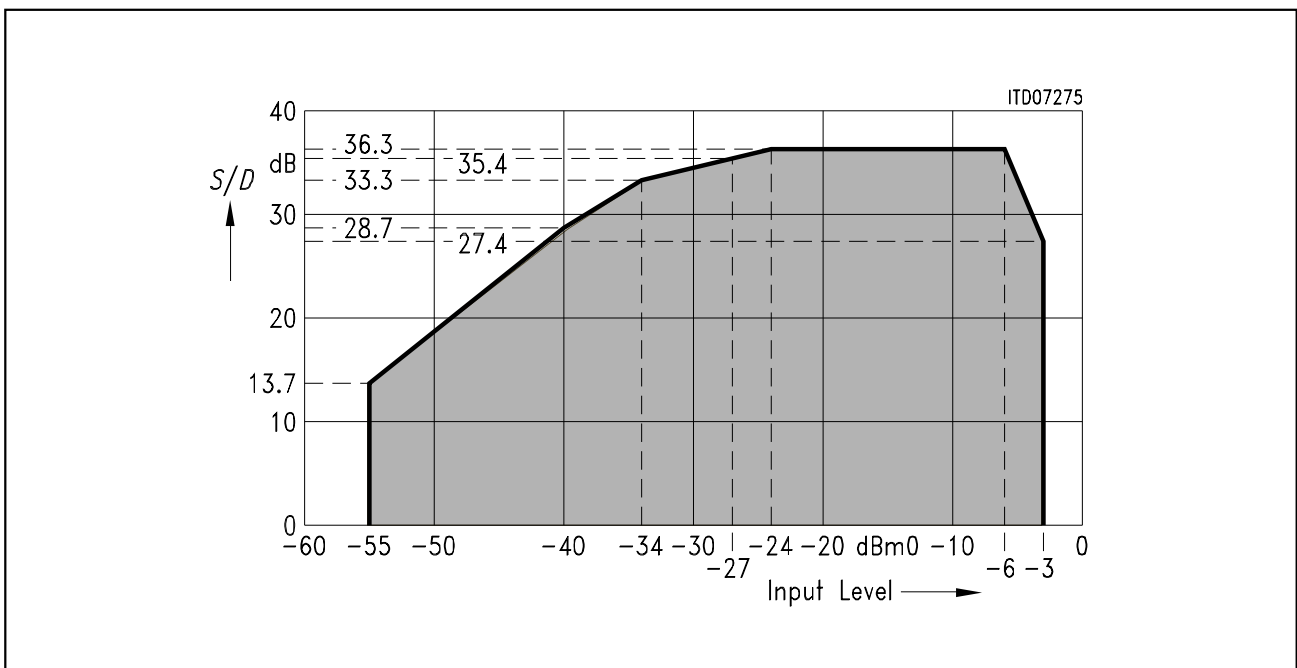


Figure 26
Transmit

Transmission Characteristics

8.9 Single Frequency Distortion

An input signal with its frequency swept between 0.3 to 3 kHz for the receive path, or 0 to 12 kHz for the transmit path, any generated output signal with other frequency than the input frequency will stay 28 dB below the maximum input level of 0 dBm0.

Table 9

Receive		Transmit	
Frequency	max. Input Level	Frequency	max. Input Level
300 Hz to 3.4 kHz	0 dBm0	0 to 12 kHz	0 dBm 0

8.10 Transhybrid Loss

The quality of Transhybrid-Balancing is very sensitive to deviations in gain and group delay - deviations inherent to the SICOFI-4 A/D- and D/A-converters as well as to all external components used on a line card (SLIC, OP's etc.)

Measurement of SICOFI-4 Transhybrid-Loss: A 0 dBm0 sine wave signal and a frequency in the range between 300 - 3400 Hz is applied to the digital input. The resulting analog output signal at pin V_{OUT} is directly connected to V_{IN} , e.g. with the SICOFI-4 testmode "Digital Loop Back via Analog Port". The programmable filters FRR, AR, FRX, AX and IM are disabled, the balancing filter TH is enabled with coefficients optimized for this configuration ($V_{OUT} = V_{IN}$).

The resulting echo measured at the digital output is at least X dB below the level of the digital input signal as shown in the table below. (Filter coefficients will be provided)

Table 10

Parameter	Symbol	Limit Values		Unit	Test Condition
		min.	typ.		
Transhybrid Loss at 300 Hz	THL ₃₀₀	27	40	dB	$T_A = 25\text{ °C}; V_{DD} = 5\text{ V}$
Transhybrid Loss at 500 Hz	THL ₅₀₀	33	45	dB	$T_A = 25\text{ °C}; V_{DD} = 5\text{ V}$
Transhybrid Loss at 2500 Hz	THL ₂₅₀₀	29	40	dB	$T_A = 25\text{ °C}; V_{DD} = 5\text{ V}$
Transhybrid Loss at 3000 Hz	THL ₃₀₀₀	27	35	dB	$T_A = 25\text{ °C}; V_{DD} = 5\text{ V}$
Transhybrid Loss at 3400 Hz	THL ₃₄₀₀	27	35	dB	$T_A = 25\text{ °C}; V_{DD} = 5\text{ V}$

The listed values for THL correspond to a typical variation of the signal amplitude and -delay in the analog blocks.

Δ amplitude = typ \pm 0.15 dB

Δ delay = typ \pm 0.5 μ s

Electrical Characteristics

9 Electrical Characteristics

9.1 Absolute Maximum Ratings

Parameter	Symbol	Limit Values		Unit	Test Condition
		min.	max.		
V_{DD} referred to GNDD		- 0.3	7.0	V	
GNDA to GNDD		- 0.6	0.6	V	
Analog input and output voltage referred to $V_{DD} = 5\text{ V}$; referred to GNDA = 0 V		- 5.3	0.3	V	
		- 0.3	5.3	V	
All digital input voltages referred to GNDD = 0 V; ($V_{DD} = 5\text{ V}$) referred to $V_{DD} = 5\text{ V}$; (GNDD = 0 V)		- 0.3	5.3	V	
		- 5.3	0.3	V	
DC input and output current at any input or output pin (free from latch-up)			10	mA	
Storage temperature	T_{STG}	- 60	125	°C	
Ambient temperature under bias	T_A	- 10	80	°C	
Power dissipation (package)	P_D		1	W	

Note: Maximum ratings are absolute ratings; exceeding only one of these values may cause irreversible damage to the integrated circuit.

The listed characteristics are ensured over the operating range of the integrated circuit. Typical characteristics specify mean values expected over the production spread. If not otherwise specified, typical characteristics apply at $T_A = 25^\circ\text{C}$ and the given supply voltage.

Electrical Characteristics

9.2 Operating Range

$T_A = 0$ to 70 °C; $V_{DD} = 5\text{ V} \pm 5\%$; $GNDD = 0\text{ V}$; $GNDA = 0\text{ V}$

Parameter	Symbol	Limit Values			Unit	Test Condition
		min.	typ.	max.		
V_{DD} supply current standby operating (4 channels)	I_{DD}		1.2 27	1.5 40	mA mA	
Power supply rejection of either supply/direction receive V_{DD} guaranteed receive V_{DD} target value	P_{SRR}	30 14 30			dB dB dB	ripple: 0 to 150 kHz, 70 mVrms measured: 300 Hz to 3.4 kHz measured: at f : 3.4 to 150 kHz
Power dissipation standby	P_{DS}		15	20	mW	
Power dissipation operating	P_{Do1}		75	110	mW	1 channel operating
Power dissipation operating	P_{Do2}		100	140	mW	2 channels operating
Power dissipation operating	P_{Do3}		120	175	mW	3 channels operating
Power dissipation operating	P_{Do4}		140	210	mW	4 channels operating

Note: In the operating range the functions given in the circuit description are fulfilled.

9.3 Digital Interface

$T_A = 0$ to 70 °C; $V_{DD} = 5\text{ V} \pm 5\%$; $GNDD = 0\text{ V}$; $GNDA = 0\text{ V}$

All input-pins, with exception of the RESET-pin, have a TTL-input characteristic.

Parameter	Symbol	Limit Values		Unit	Test Condition
		min.	max.		
Low-input voltage	V_{IL}	-0.3	0.8	V	
High-input voltage	V_{IH}	2.0		V	
Low-output voltage	V_{OL}		0.45	V	$I_O = -5\text{ mA}$
Low-output voltage DU-pin	V_{OL}		0.45	V	$I_O = -7\text{ mA}$, $R_L = 1\text{ k}\Omega$
High-output voltage	V_{OH}	4.4		V	$I_O = 5\text{ mA}$
Input leakage current	I_{IL}		± 1	μA	$-0.3 \leq V_{IN} \leq V_{DD}$

Electrical Characteristics

9.4 Analog Interface

$T_A = 0$ to 70 °C; $V_{DD} = 5$ V \pm 5 %; $GNDD = 0$ V; $GNDA = 0$ V

Parameter	Symbol	Limit Values			Unit	Test Condition
		min.	typ.	max.		
Analog input resistance	R_i	160	270	480	k Ω	
Analog output resistance	R_o			10	Ω	
Analog output load	R_L C_L	20		20	k Ω pF	
Input leakage current	I_{IL}		± 0.1	± 1.0	μ A	$0 \leq V_{IN} \leq V_{DD}$
Input voltage range (AC)	V_{IR}			± 2.223	V	

9.5 Reset Timing

To reset the SICOFI-4 to basic setting mode, positive pulses applied to pin RS have to be higher than 2.4 V (CMOS-Schmitt-Trigger Input) and longer than 3 μ s. Signals shorter than 1 μ s will be ignored.

9.6 IOM[®]-2 Interface Timing

9.6.1 4-MHz Operation Mode (Mode = 1)

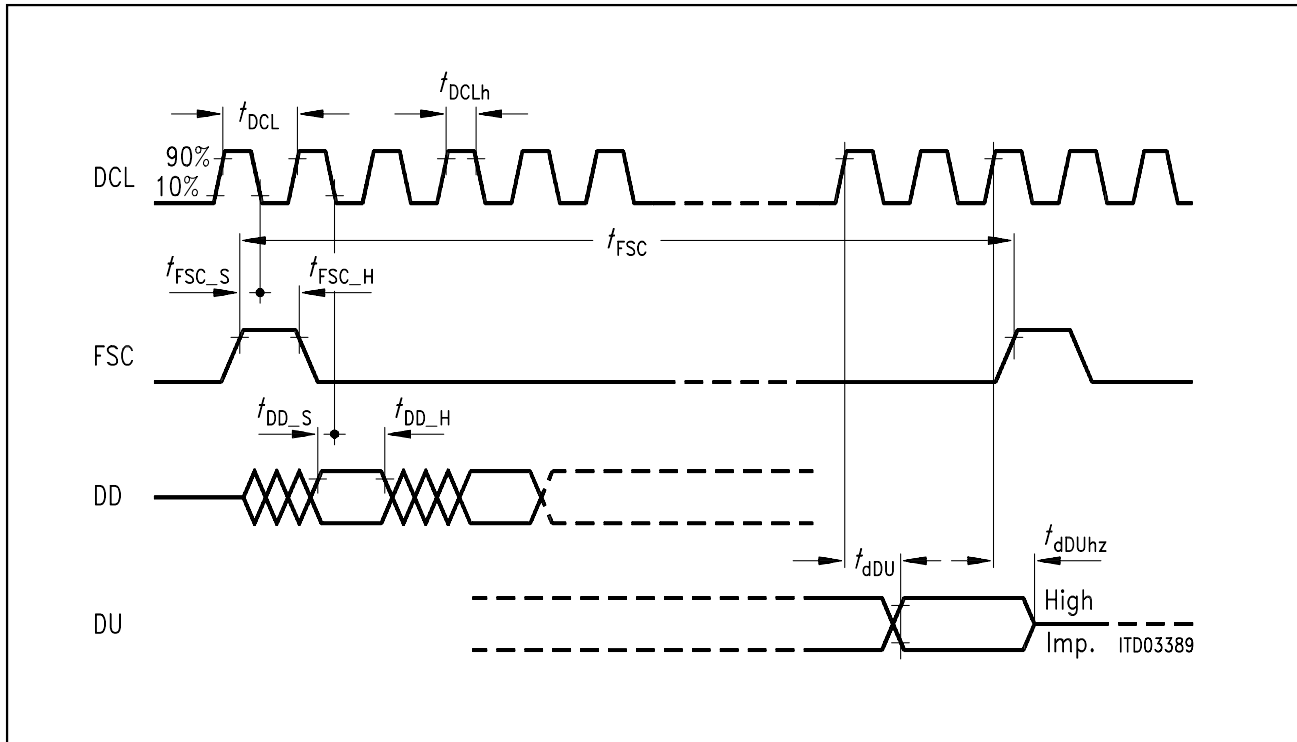


Figure 27

Table 11
Switching Characteristics

Parameter	Symbol	Limit Values			Unit
		min.	typ.	max.	
Period DCL 'fast' mode ¹⁾	t_{DCL}		1/4096 kHz		
DCL Duty Cycle		40		60	%
Period FSC ¹⁾	t_{FSC}		125		μ s
FSC setup time	t_{FSC_S}	70	t_{DCLh}		ns
FSC hold time	t_{FSC_H}	40			ns
DD data in setup time	t_{DD_S}	20			ns
DD data in hold time	t_{DD_H}	50			ns
DU data out delay ²⁾	t_{dDU}		150	320	ns

1) DCL = 4096 kHz: $t_{FSC} = 512 \times t_{DCL}$

2) Depending on Pull up resistor (typical 1 k Ω), DU and DD are "open drain"-lines.

9.6.2 2-MHz Operation Mode (Mode = 0)

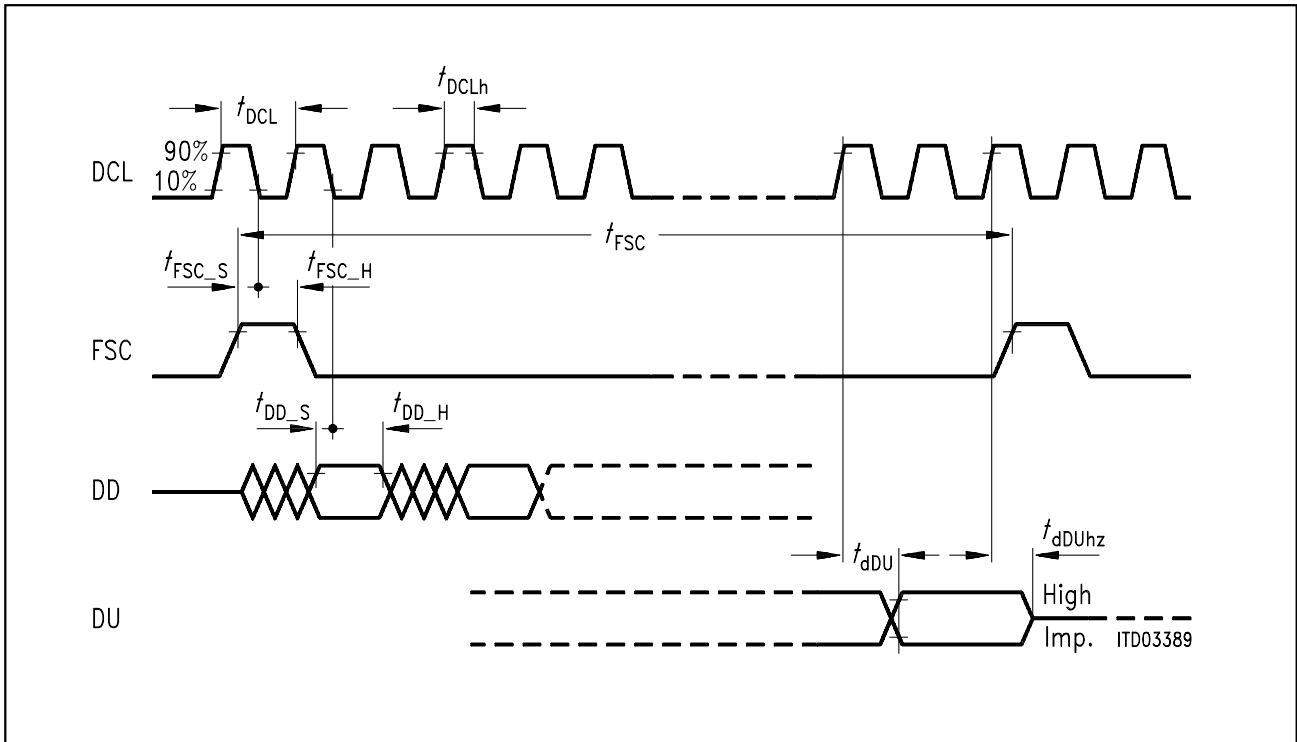


Figure 28

Table 12
Switching Characteristics

Parameter	Symbol	Limit Values			Unit
		min.	typ.	max.	
Period DCL 'slow' mode ¹⁾	t_{DCL}		1/2048 kHz		
DCL Duty Cycle		40		60	%
Period FSC ¹⁾	t_{FSC}		125		μ s
FSC setup time	t_{FSC_S}	70	t_{DCLh}		ns
FSC hold time	t_{FSC_H}	40			ns
DD data in setup time	t_{DD_S}	20			ns
DD data in hold time	t_{DD_H}	50			ns
DU data out delay ²⁾	t_{dDU}		150	175	ns

1) DCL = 2048 kHz: $t_{FSC} = 256 \times t_{DCL}$

2) Depending on Pull up resistor (typical 1 k Ω), DU and DD are "open drain"-lines.

Electrical Characteristics

9.7 IOM[®]-2 Command/Indication Interface Timing

9.7.1 4-MHz Operation Mode (Mode = 1)

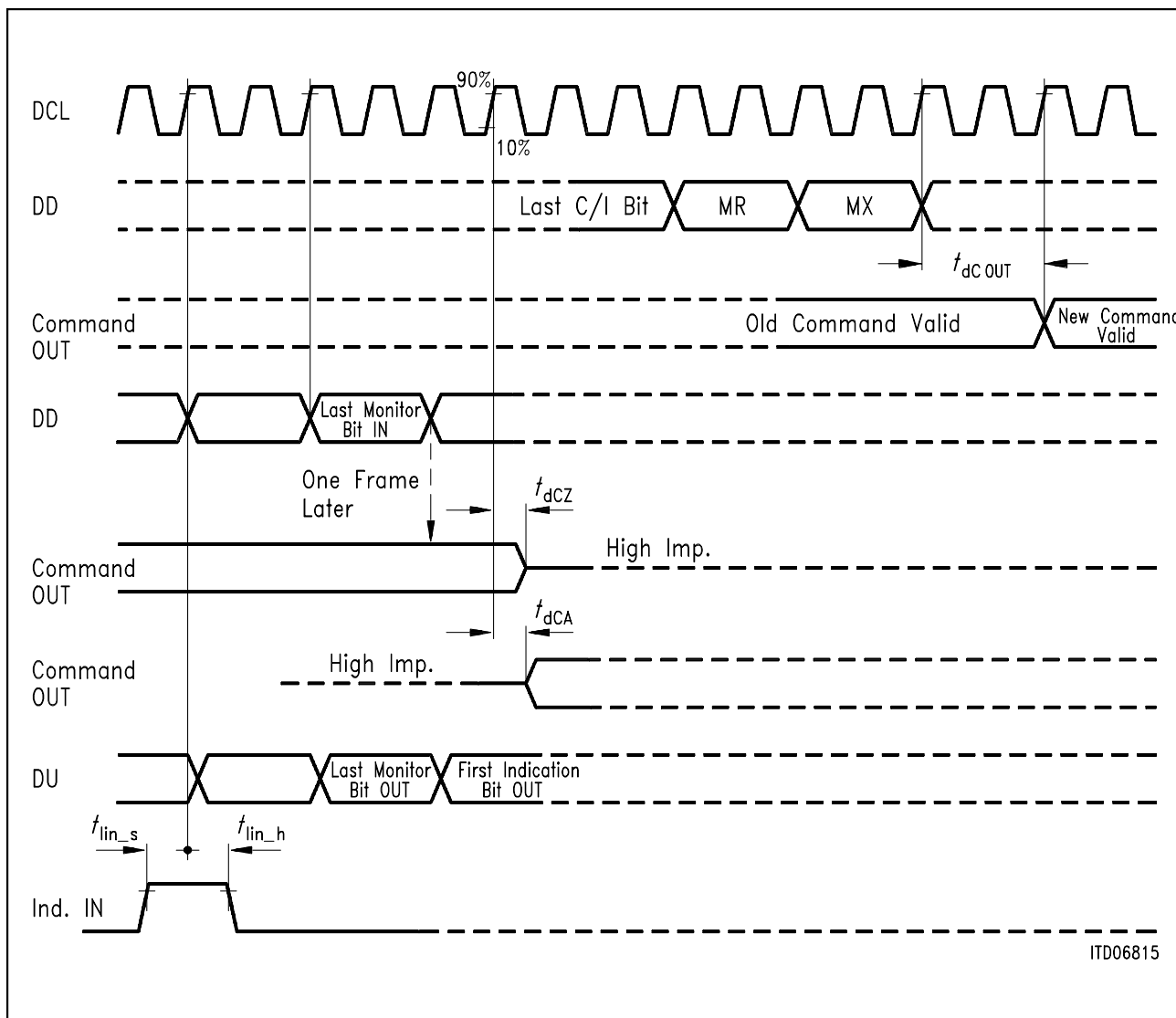


Figure 29

Electrical Characteristics

9.7.2 2-MHz Operation Mode (Mode = 0)

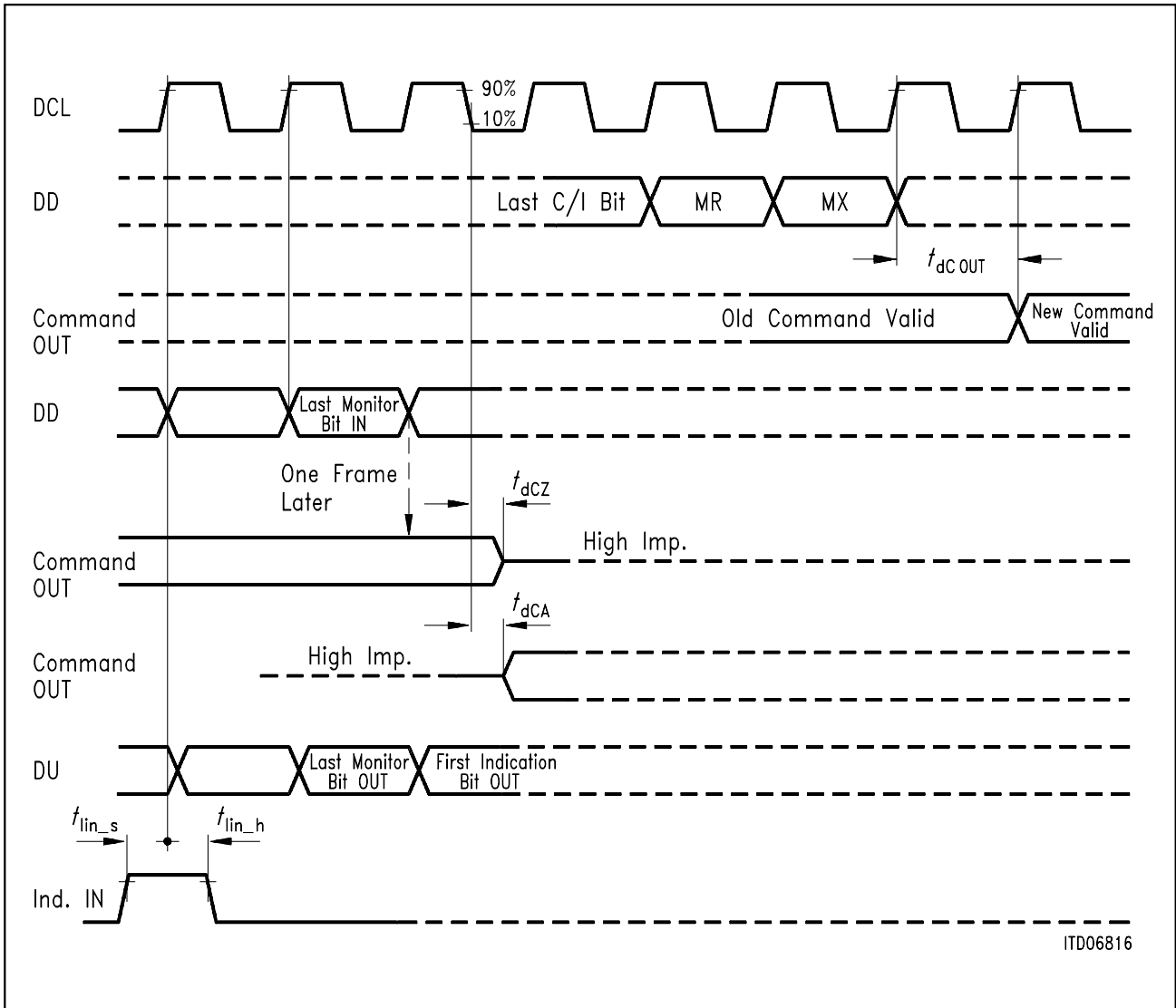


Figure 30

Table 13
Switching Characteristics

Parameter	Symbol	Limit Values			Unit
		min.	typ.	max.	
Command out delay	t_{dCout}		150	250	ns
Command out high impedance	t_{dCZ}		150	250	ns
Command out active	t_{dCA}		150	250	ns
Indication in setup time	t_{lin_s}	50			ns
Indication in hold time	t_{lin_h}	100			ns

9.8 Detector Select Timing

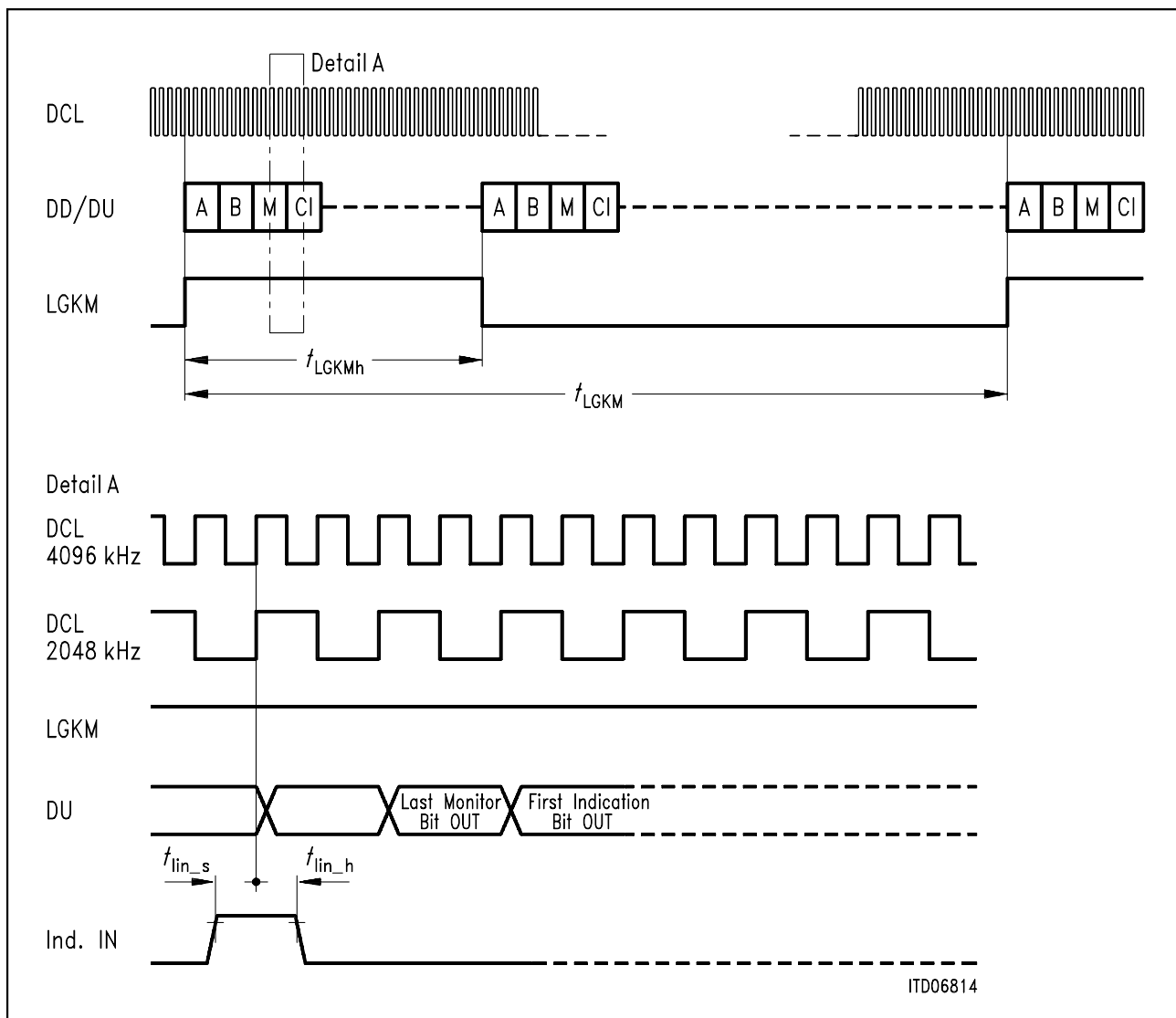


Figure 31

Table 14
Switching Characteristics

Parameter	Symbol	Limit Values			Unit
		min.	typ.	max.	
Detector select high time	t_{LGKMh}		125		μ s
Detector select repeat	t_{LGKM}		1 ... 14		ms
Indication in setup time	t_{lin_s}	50			ns
Indication in hold time	t_{lin_h}	100			ns

10 Appendix

10.1 IOM[®]-2 Interface Monitor Transfer Protocol

10.1.1 Monitor Channel Operation

The monitor channel is used for the transfer of maintenance information between two functional blocks. Using two monitor control bits (MR and MX) per direction, the data are transferred in a complete handshake procedure. The MR and MX bits in the fourth octet (C/I channel) of the IOM-2 frame are used for the handshake procedure of the monitor channel.

The monitor channel transmission operates on a pseudo-asynchronous basis:

- Data transfer (bits) on the bus is synchronized to Frame Sync FSC
- Data flow (bytes) are asynchronously controlled by the handshake procedure.

For example: Data is placed onto the DD-Monitor-Channel by the Monitor-transmitter of the master device (DD-MX-Bit is activated i.e. set to '0'). This data transfer will be repeated within each frame (125 μs rate) until it is acknowledged by the SICOFI-4 Monitor-receiver by setting the DU-MR-bit to '0', which is checked by the Monitor-transmitter of the master device. Thus, the data rate is not 8-kbytes/sec.

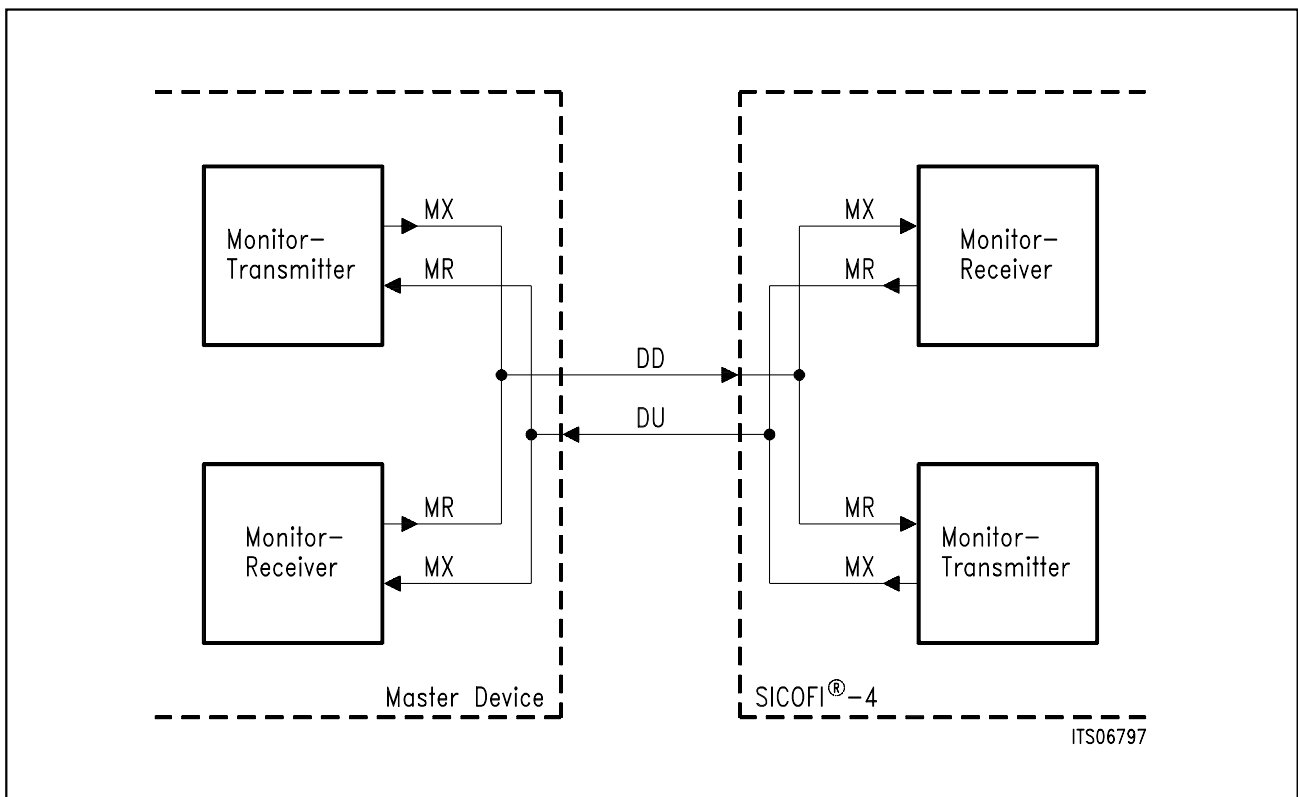


Figure 32

10.1.2 Monitor Handshake Procedure

The monitor channel works in 3 states

- idle state: A pair of inactive (set to '1') MR- and MX-bits during two or more consecutive frames: End of Message (EOM)
- sending state: MX-bit is activated (set to '0') by the Monitor-transmitter, together with data-bytes (can be changed) on the Monitor-channel
- acknowledging: MR-bit is set to active (set to '0') by the Monitor-receiver, together with a data-byte remaining in the Monitor-channel.

A start of transmission is initiated by a Monitor-transmitter in sending out an active MX-bit together with the first byte of data (the address of the receiver) to be transmitted in the Monitor-channel.

This state remains until the addressed Monitor-Receiver acknowledges the received data by sending out an active MR-bit, which means that the data-transmission is repeated each 125 μ s frame (minimum is one repetition). During this time the Monitor-transmitter evaluates the MR-bit.

Flow control, means in the form of transmission delay, can only take place when the transmitters MX and the receivers MR bit are in active state.

Since the receiver is able to receive the monitor data at least twice (in two consecutive frames), it is able to check for data errors. If two different bytes are received the receiver will wait for the receipt of two identical successive bytes (last look function).

A collision resolution mechanism (check if another device is trying to send data during the same time) is implemented in the transmitter. This is done by looking for the inactive ('1') phase of the MX-bit and making a per bit collision check on the transmitted monitor data (check if transmitted '1's are on DU/DD-line; DU/DD-line are open-drain lines).

Any abort leads to a reset of the SICOFI-4 command stack, the device is ready to receive new commands.

To obtain a maximum speed data transfer, the transmitter anticipates the falling edge of the receivers acknowledgment.

Due to the inherent programming structure, duplex operation is not possible. It is **not allowed** to send any data to the SICOFI-4, while transmission is active.

10.1.3 State Diagram of the SICOFI®-4 Monitor Transmitter

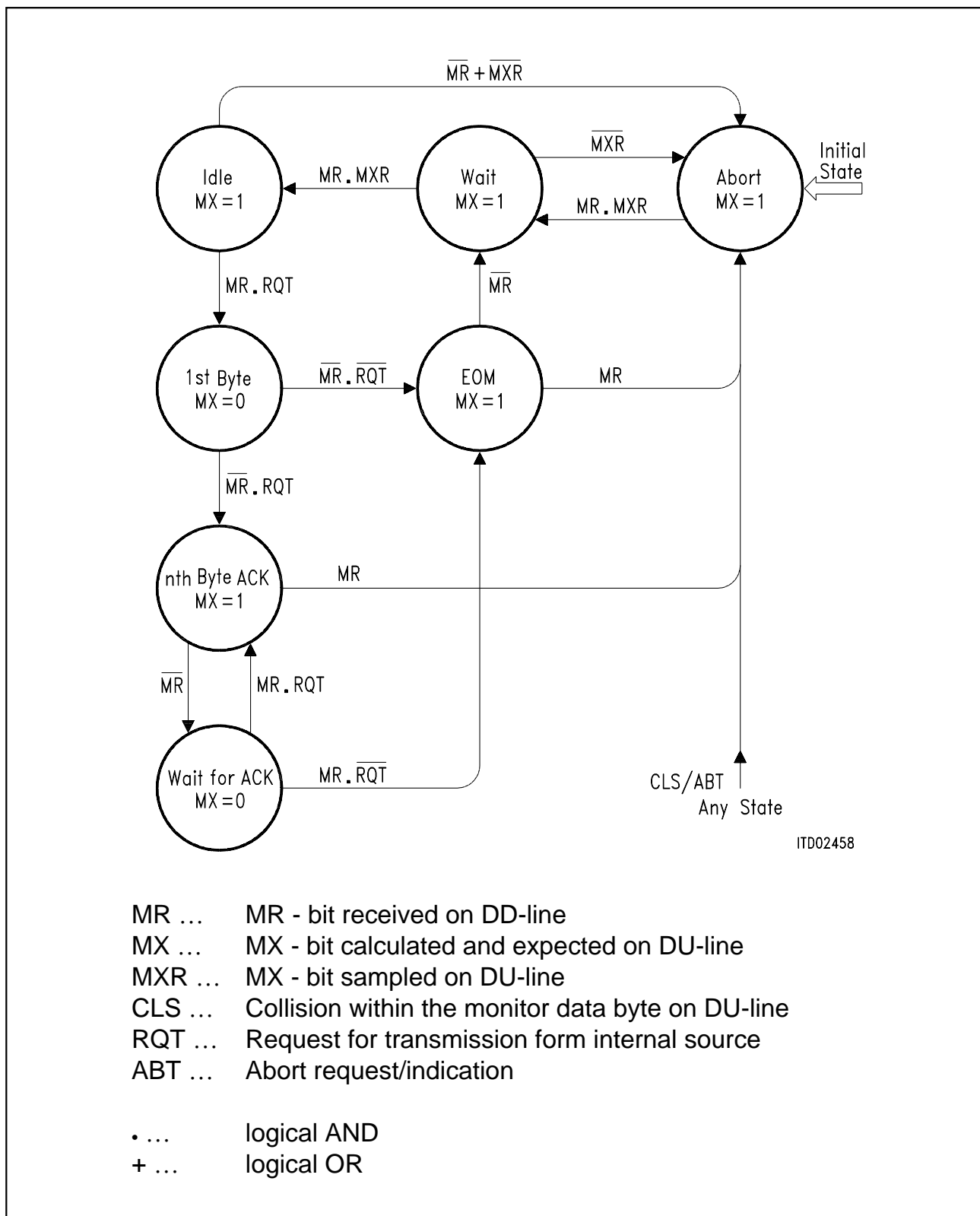


Figure 33

10.1.4 State Diagram of the SICOFI®-4 Monitor Receiver

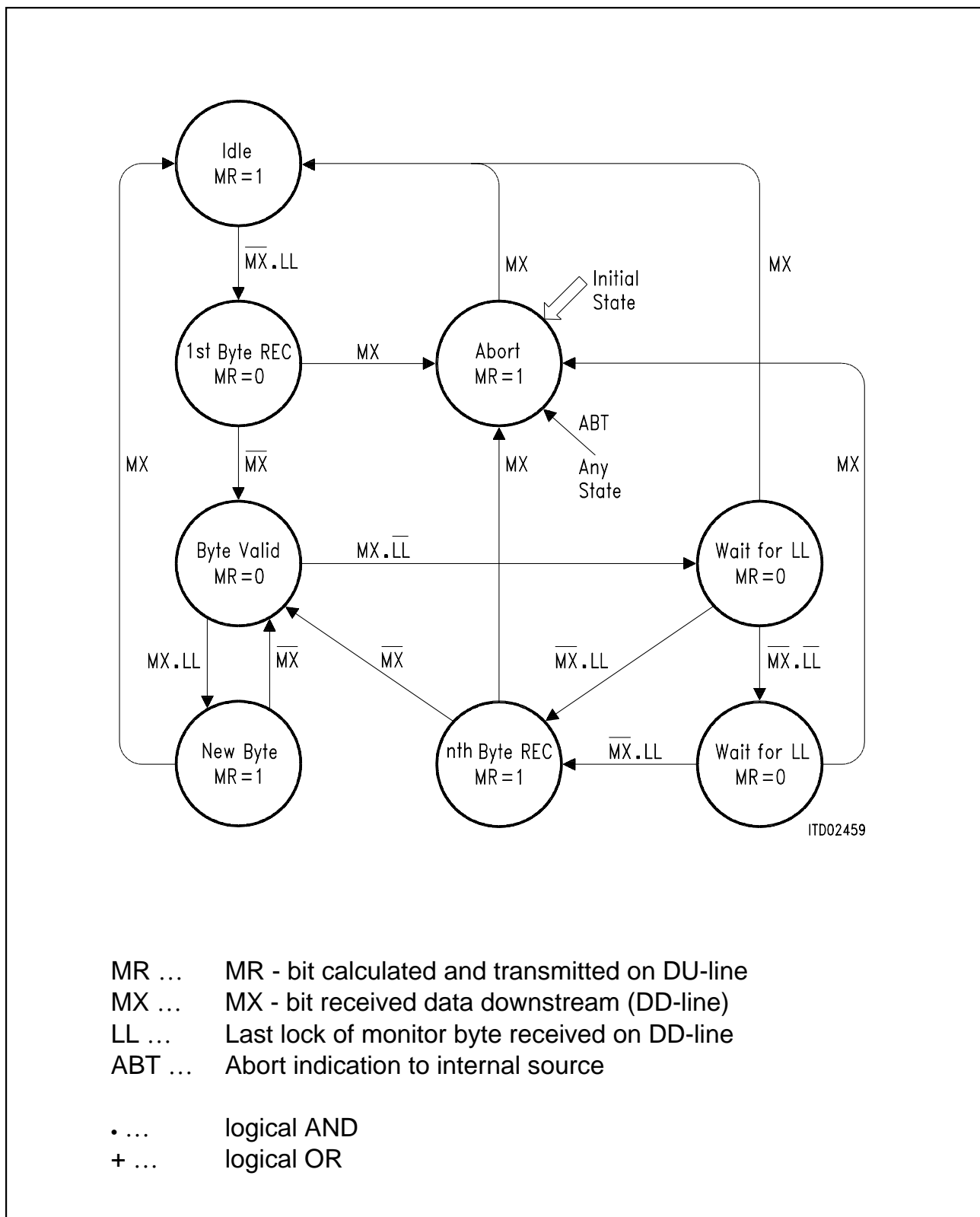


Figure 34

10.1.5 Monitor Channel Data Structure

The monitor channel is used for the transfer of maintenance information between two functional blocks. By use of two monitor control bits (MR and MX) per direction, the data are transferred in a complete handshake procedure.

Address Byte

Messages to and from the SICOFI-4 are started with the following Monitor byte:

Bit	7	6	5	4	3	2	1	0
	1	0	0	0	0	0	0	1

Thus providing information for two voice channels, the SICOFI-4 is one device on one IOM-2 timeslot. Monitor data for a specific voice channel is selected by the SICOFI-4 specific command (SOP or COP).

Identification Command

In order to be able to unambiguously identify different devices by software, a two byte identification command is defined for analog lines IOM-2 devices.

1	0	0	0	0	0	0	0
0	0	0	0	0	0	0	0

Each device will then respond with its specific identification code. For the SICOFI-4 this two byte identification code is:

1	0	0	0	0	0	0	0
1	0	0	0	0	0	1	0

Each byte is transferred at least twice (in two consecutive frames).

10.2 IOM[®]-2 Interface Programming Procedure

Example for a typical IOM-2 Interface programming procedure, consisting of identification request and answer, a SOP Write command with three byte following, and SOP Read to verify the programming.

Table 15

Frame	Data down		Data up	
	Monitor	MR/MX	Monitor	MR/MX
1	11111111	11	11111111	11
2	IDRQT. 1 st byte	10	11111111	11
3	IDRQT. 1 st byte	10	11111111	01
4	IDRQT. 2 nd byte	11	11111111	01
5	IDRQT. 2 nd byte	10	11111111	11
6	11111111	11	11111111	01
7	11111111	11	IDANS. 1 st byte	10
8	11111111	01	IDANS. 1 st byte	10
9	11111111	01	IDANS. 2 nd byte	11
10	11111111	11	IDANS. 2 nd byte	10
11	11111111	01	11111111	11
12	Address	10	11111111	11
13	Address	10	11111111	01
14	SOP Write	11	11111111	01
15	SOP Write	10	11111111	11
16	CR3	11	11111111	01
17	CR3	10	11111111	11
18	CR2	11	11111111	01
19	CR2	10	11111111	11
20	CR1	11	11111111	01
21	CR1	10	11111111	11
22	SOP Read	11	11111111	01
23	SOP Read	10	11111111	11
24	11111111	11	11111111	01
25	11111111	11	Address	10
26	11111111	01	Address	10

Table 15 (cont'd)

Frame	Data down		Data up	
	Monitor	MR/MX	Monitor	MR/MX
27	11111111	01	CR3	11
28	11111111	11	CR3	10
29	11111111	01	CR2	11
30	11111111	11	CR2	10
31	11111111	01	CR1	11
32	11111111	11	CR1	10
33	11111111	01	11111111	11

- IDRQT ... identification request (80_H, 00_H)
- IDANS ... answer to identification request (80_H, 82_H)
- Address ... SICOFI-4 specific address byte (81_H)
- CRx ... Data for/from configuration register x.

10.3 Test Features

10.3.1 Boundary Scan

General

The SICOFI-4 provides fully IEEE Std. 1149.1 compatible boundary scan support consisting of:

- a complete boundary scan (digital pins)
- a test access port controller (TAP)
- four dedicated pins (TCK, TMS, TDI, TDO)
- a 32 bit ICODE register

All SICOFI-4 digital pins except power supply VDDD and ground GNDD are included in the boundary scan. Depending on the pin functionality one, two or three boundary cells are provided.

Table 16

Pin Type	Number of Boundary Scan Cells	Usage
Input	1	Input
Output	2	Output, enable
I/O	3	Input, output, enable

When the TAP controller is in the appropriate mode, data is shifted into/out of the boundary scan via the pins TDI/TDO controlled by the clock applied to pin TCK.

The SICOFI-4 pins are included in the following sequence in the boundary scan:

Table 17

Pin No.	Pin Name	Type
57	MODE	I
59	TSS1	I
60	TSS0	I
61	SI3_2	I
62	SI3_1	I
63	SI3_0	I
64	SB3_1	I/O
1	SB3_0	I/O
2	SO3_2	O
3	SO3_1	O

Table 17 (cont'd)

Pin No.	Pin Name	Type
4	SO3_0	O
13	SO4_0	O
14	SO4_1	O
15	SO4_2	O
16	SB4_0	I/O
17	SB4_1	I/O
18	SI4_0	I
19	SI4_1	I
20	SI4_2	I
21	LGKM1	O
22	RESET	I
24	DD	I
25	DU	O (open drain)
26	DCL	I
27	FSC	I
28	LGKM0	O
29	SI1_2	I
30	SI1_1	I
31	SI1_0	I
32	SB1_1	I/O
33	SB1_0	I/O
34	SO1_2	O
35	SO1_1	O
36	SO1_0	O
45	SO2_0	O
46	SO2_1	O
47	SO2_2	O
48	SB2_0	I/O
49	SB2_1	I/O
50	SI2_0	I
51	SI2_1	I
52	SI2_0	I

10.3.2 The TAP-Controller

The Test Access Port (TAP) controller implements the state machine defined in the JTAG standard IEEE Std. 1149.1. Transitions on pin TMS (Test Mode Select) cause the TAP controller to perform a state change. According to the standard definition five instructions are executable:

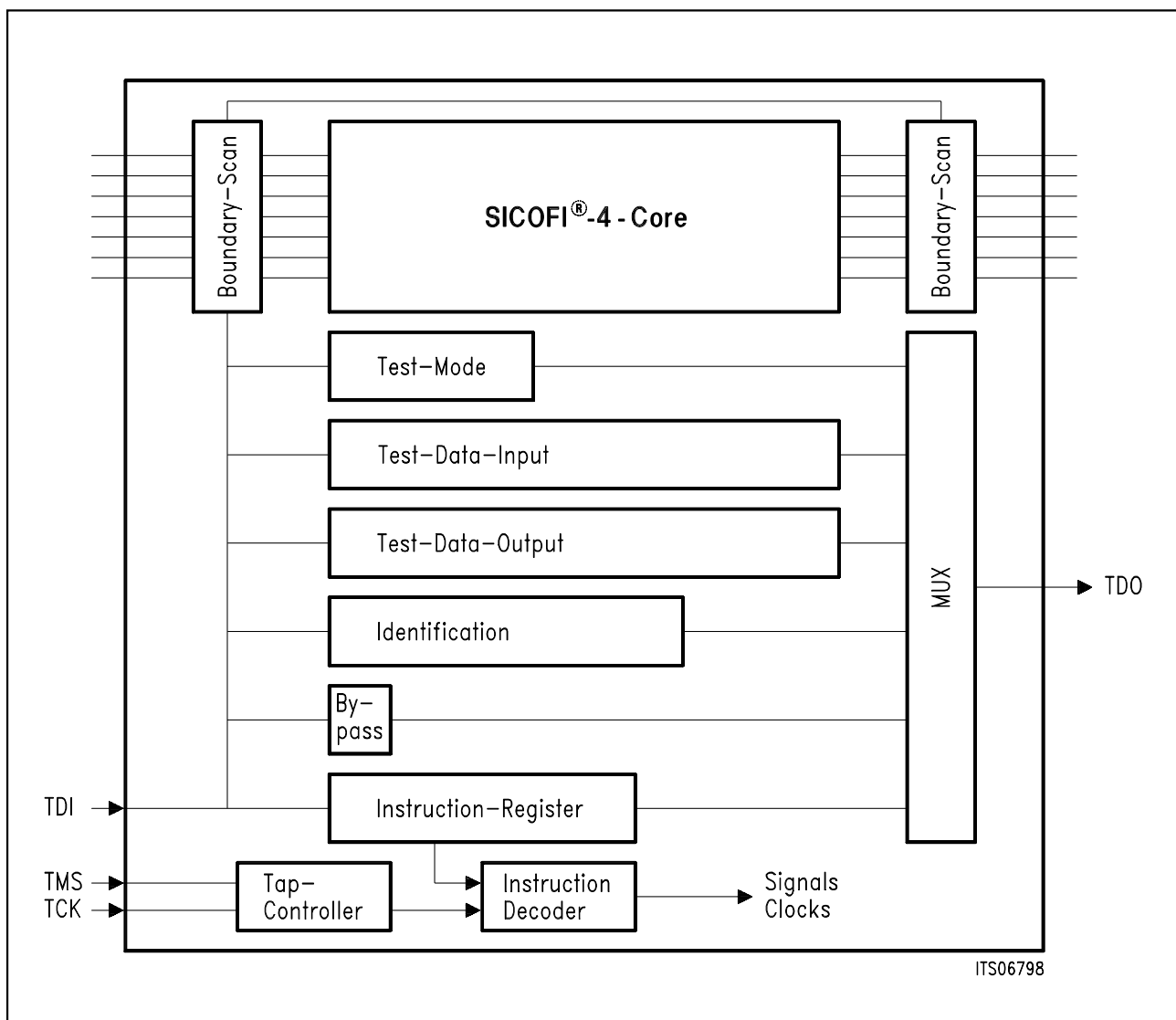


Figure 35

Table 18

Code	Instruction	Function
0000	EXTEST	External testing
0001	INTEST	Internal testing
0010	SAMPLE/ PRELOAD	Snap-shot testing
0011	ICODE	Reading ID code
0100	Tap_Test 1	Configuration for Level Metering
0101	Tap_Test 2	Wait for result
1000	Tap_Test 5	Serial testdata output (Level Metering Results)
0111	Tap_Test 4	Switch off Test
11xx	BYPASS	Bypass operation

EXTEST: Is used to examine the board interconnections.

INTEST: Supports internal chip testing (is the default value of the instruction register)

SAMPLE/PRELOAD: Provides a snap-shot of the pin level during normal operation, or is used to preload the boundary scan with a test vector

ICODE: The 32 bit identification register is serially read out via TDO. It contains a version number (4 bit), a device code (16 bit) and the manufacture code (11 bit). The LSB is fixed to '1'.

For the SICOFI-4 V2.2 and V2.3 the Code is:

'0011 0000 0000 0001 0101 0000 1000 001 1'

TAP_TEST1 39 bit field for selecting operation
(Level Metering Offset, Loops, Tone Generator...)

TAP_TEST2: Wait for Level Metering result ready (should be > t.b.d. mS)

TAP_TEST5: Level Metering Data output (1 bit result of Level Metering per channel)

TAP_TEST4: Level Metering Operation is switched off

BYPASS: A bit entering TDI is shifted to TDO after one TCK clock cycle

10.3.3 Level Metering Function

The Level Metering Function is a functional selftest (available per channel), which allows selftest of the chip (digital, or digital and analogue), and also selftest of the board (including the SLIC).

An external or internally generated sine-wave signal is fed to the receive path. After switching a loop (internal or external via the SLIC) to the Transmit-path the return level is measured and compared to a programmable offset value. The result of this operation (greater or smaller than offset) can be read out via the IOM-2 interface (bit LMR in configuration register CR2).

There is a single 8 bit Offset-Register available for all the 4 channels. This offset register can be accessed as XR4 with a XOP-Command (Field LSEL = 100)

This register contains the 2's complement offset value for the level metering function.

Bit	7	6	5	4	3	2	1	0
	OF7	OF6	OF5	OF4	OF3	OF2	OF1	OF0

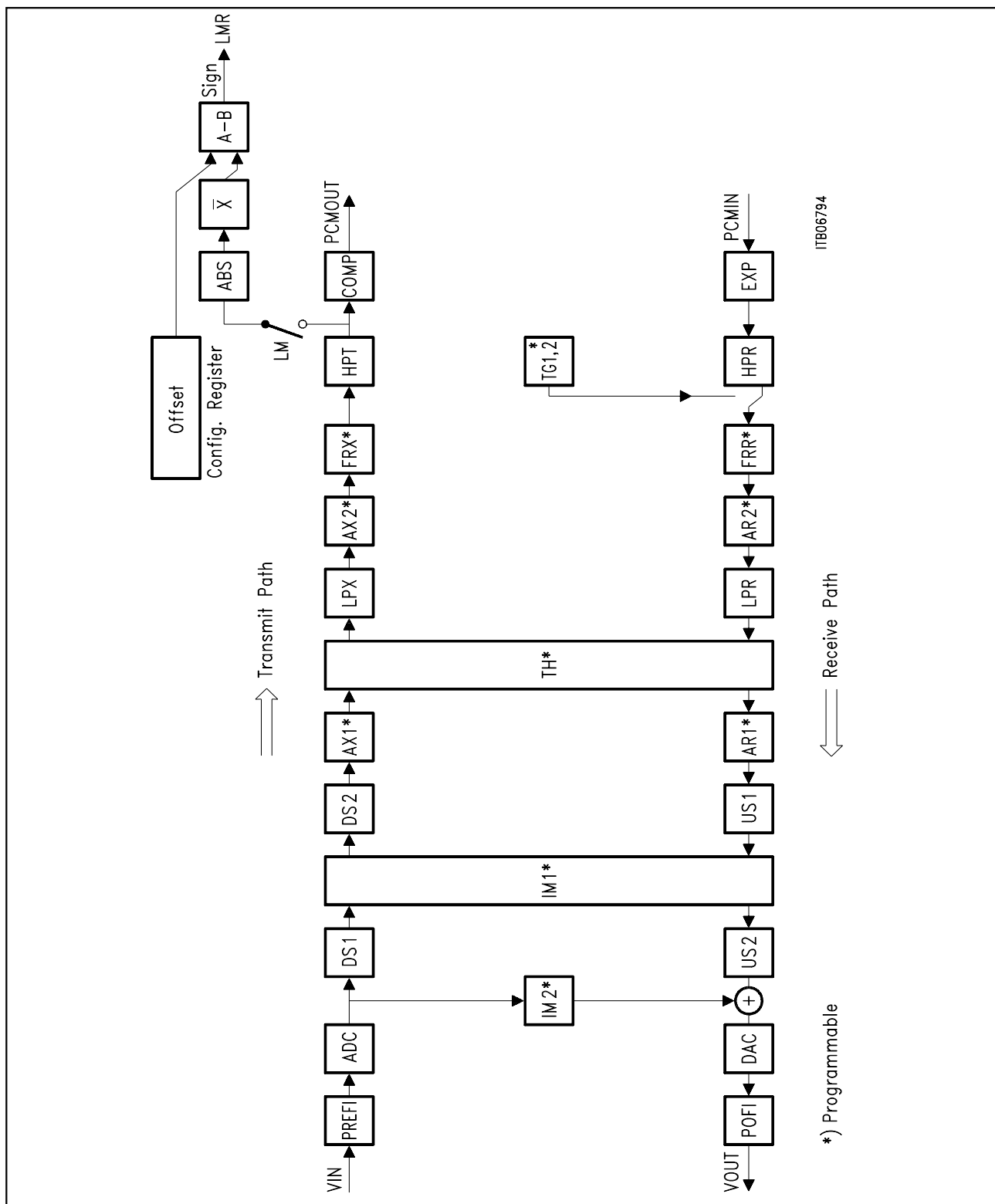


Figure 36
Block Diagram

(For further information, an application-note describing the calculation of the offset value and the sensitivity, is available)

10.3.4 Using the Level Metering Function

Task

An external sine wave (applied to the analog input pin V_{IN}) or an internally generated sine wave signal (via tone generator TG1 or via test loops) is sent to the SICOFI-4 transmit path. This signal will be rectified and the power of this signal will be compared to the programmable offset value of the level metering function. If the measured power exceeds a certain value the LMR bit of the register CR2 is set to '1'.

In the appendix you will find a printout of the Track file to test the SICOFI-4 level metering function.

The following steps show how to detect a sine wave with a frequency of 2 kHz and a PCM level $L = 0$ dB (like measured with the PCM4 in the A/D measurement).

Step 1

The SICOFI-4 extended register XR4 holds the offset value for the level metering function. With the QSICOS utility program 'Calculation of Level Metering Function' the programming byte for this register XR4 can be calculated. In our case the Level L will be 0 dB.

Bytes for Level Metering Register XR4: 71

Step 2

The level metering function is always used together with a bandpass filter. The programming of this bandpass filter has to be done by programming the tone-generator coefficients of the tone generator TG2. (During Level Metering Function enabled, TG2 is not available). For this example the coefficients of the TG2 for a frequency of $f = 2000$ Hz have to be calculated using the QSICOS utility program 'Calculate Tone Generator Coefficients':

Bytes for Tone Generator 2 (0D): 00, 80, 40, 09

Step 3

The SICOFI-4 extended register XR4 has to be programmed.

Step 4

In the SICOFI-4 configuration register CR2 the level metering bit LM has to be set to '1' and the programmed frequency for the tone generator 2 has to be chosen by setting the PTG2 bit to '1'.

Example for writing the CR2 register: $0\ 0\ 1\ 0\ 0\ 0\ 1\ 0 = 22_H$ (A-Law is selected)

Step 5

After sending the sine wave in the SICOFI-4 transmit path the result of the Level Metering function will be present in the LMR bit of the configuration register CR2.

Examples for reading back the CR2 register:

0 0 1 0 0 0 1 0 = 22_H Level was lower than reference

0 0 1 1 0 0 1 0 = 32_H Level was higher than reference

Step 6

By programming different levels for the level metering function the actual PCM coded level can be found. Also a change of the AX1 gain filter will change the PCM level in the transmit path.

If an analog signal is applied to the SICOFI-4 analog input, the level of this analog signal can be calculated. To calculate the analog level, the gain setting of the SICOFI-4 filters together with the 0 dBm0 reference voltage have to be taken into account.

10.4 Programming the SICOFI®-4 Tone Generators

Two independent Tone Generators are available per channel. When one or both tone-generators are switched on, the voice signal is switched off automatically for the selected voice channel. To make the generated signal sufficient for DTMF, a programmable bandpass-filter is included. The default frequency for both tone generators is 1000 Hz.

The QSICOS-program contains a program for generating coefficients for variable frequencies.

Byte sequences for programming both the tone generators and the bandpass-filters:

Table 19

Frequency	Command	Byte 1	Byte 2	Byte 3	Byte 4
697 Hz	0C/0D ¹⁾	0A	33	5A	2C
770 Hz	0C/0D ¹⁾	12	33	5A	C3
852 Hz	0C/0D ¹⁾	13	3C	5B	32
941 Hz	0C/0D ¹⁾	1D	1B	5C	CC
1209 Hz	0C/0D ¹⁾	32	32	52	B3
1336 Hz	0C/0D ¹⁾	EC	1D	52	22
1477 Hz	0C/0D ¹⁾	AA	AC	51	D2
800 Hz	0C/0D ¹⁾	12	D6	5A	C0
950 Hz	0C/0D ¹⁾	1C	F0	5C	C0
1008 Hz	0C/0D ¹⁾	1A	AE	57	70
2000 Hz	0C/0D ¹⁾	00	80	50	09

¹⁾ 0C is used for programming Tone Generator 1, in channel 1(3).
 0D is used for programming Tone Generator 2, in channel 1(3).

The resulting signal amplitude can be set by transmitting the AR1 and AR2 filters. By switching a 'digital loop' the generated sine-wave signal can be fed to the transmit path.

Proposed Test Circuit

11 Proposed Test Circuit

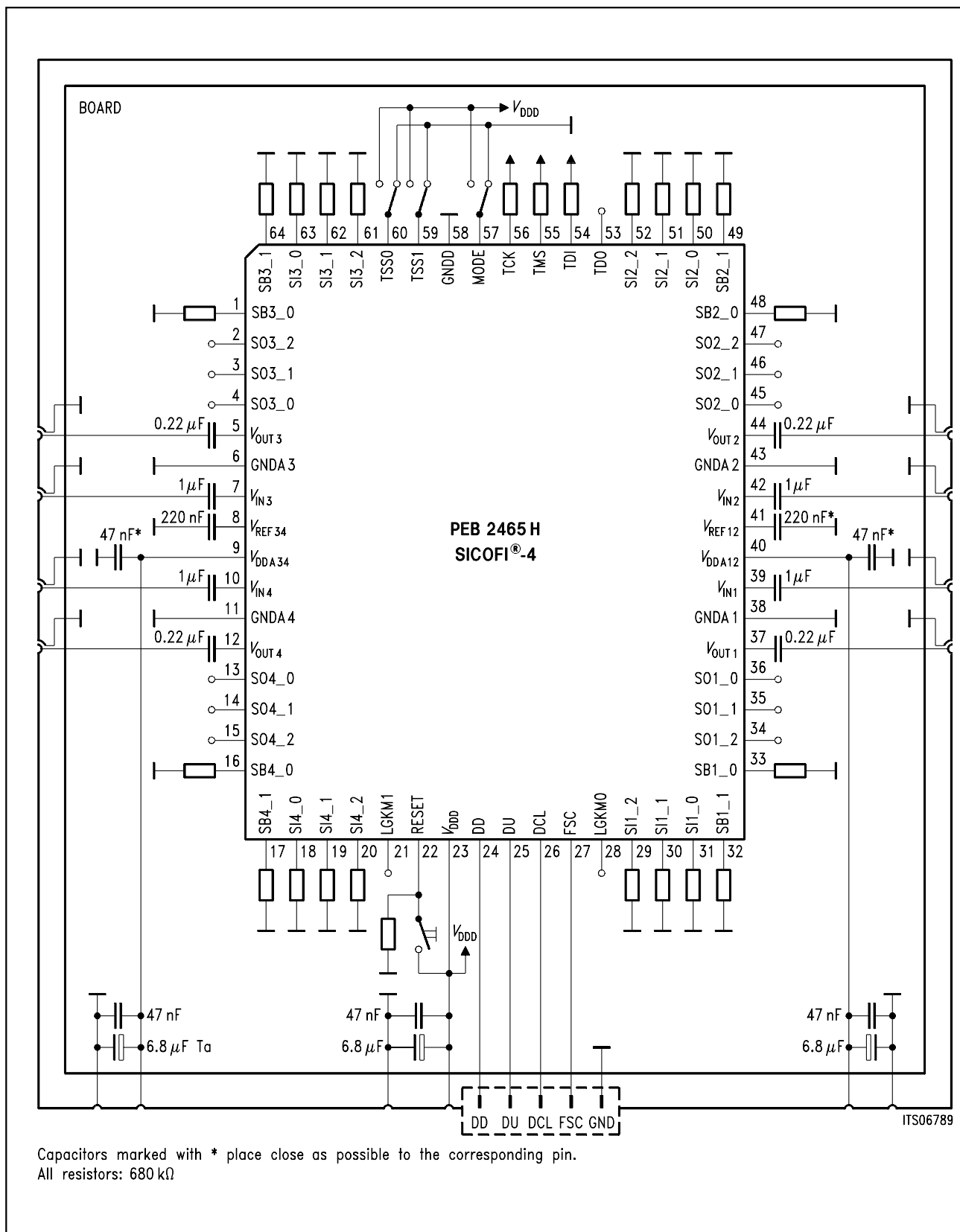


Figure 37

Board Layout Recommendation**12 Board Layout Recommendation****12.1 Board Layout**

Keep in mind that inside the SICOFI-4 all the different V_{DD} -supplies are connected via the substrate of the chip, and the areas connected to different grounds are separated on chip.

- a) Separate all digital supply lines from analog supply lines as long as possible.
- b) Use a separate GND-connection for the capacitors which are filtering the Reference voltage (220 nF ceramic-capacitor at V_{H12}/V_{H34}).
- c) Don't use a common ground-plane under the SICOFI-4.
- d) Use a large ground-plane (distant from the SICOFI-4) and use different ground lines for connecting the SICOFI-4: one common analog ground and a separate digital ground.

12.2 Filter Capacitors

- a) To achieve a good filtering for the high frequency band, place SMD ceramic-capacitors with 100 nF from V_{DDA12} and V_{DDA34} to GNDA.
- b) One 100 nF SMD ceramic-capacitor is needed to filter the digital supply (V_{DDD} to GNDD).
- c) Use 220 nF ceramic-capacitors to connect V_{H12} and V_{H34} to analog ground.
- d) Place all filter capacitors as close as possible to the SICOFI-4 (most important!!!).
- e) Use one central Tantalum-capacitor with about 1 μ F to 10 μ F to block V_{DD} to GND.

Board Layout Recommendation

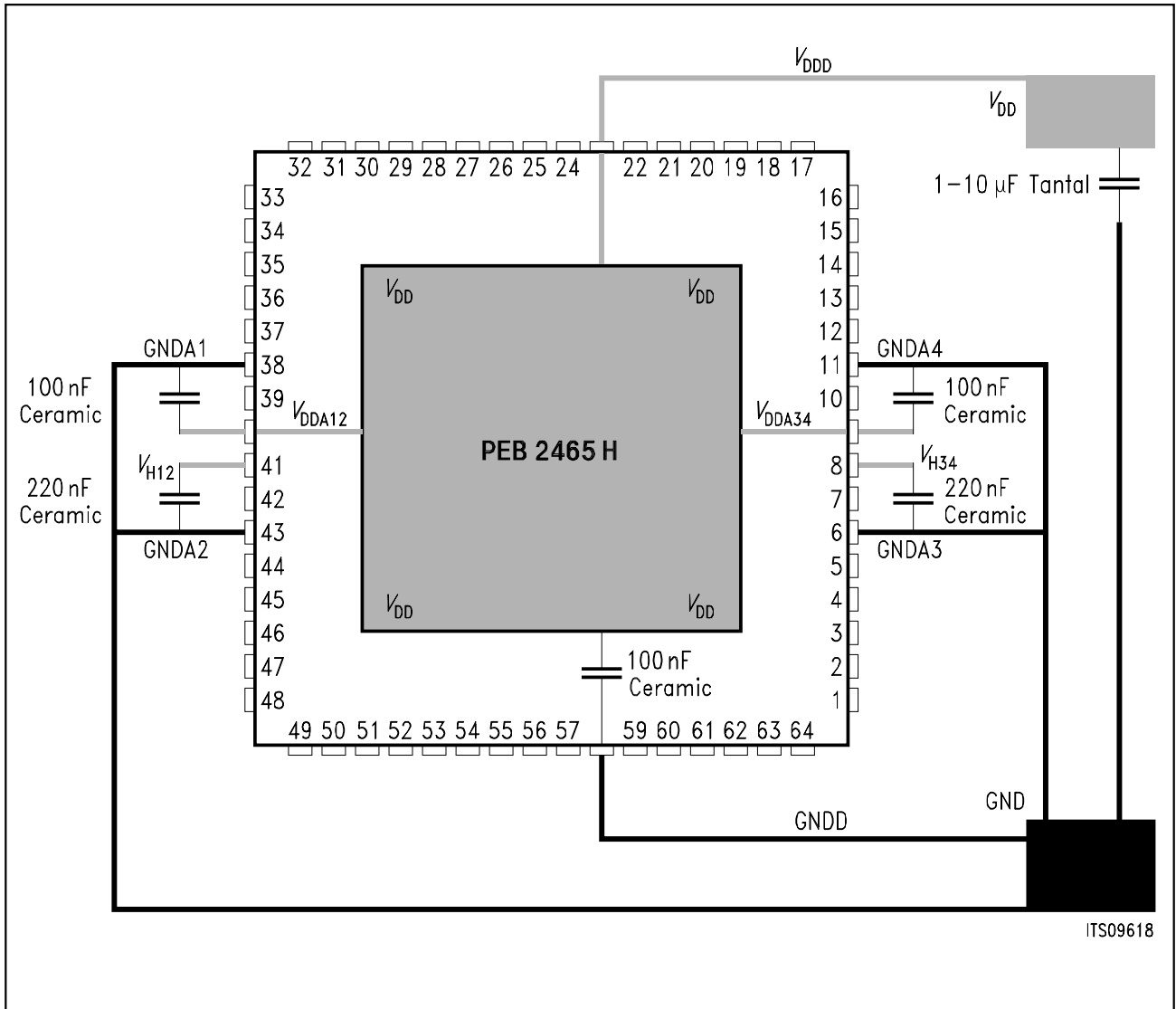
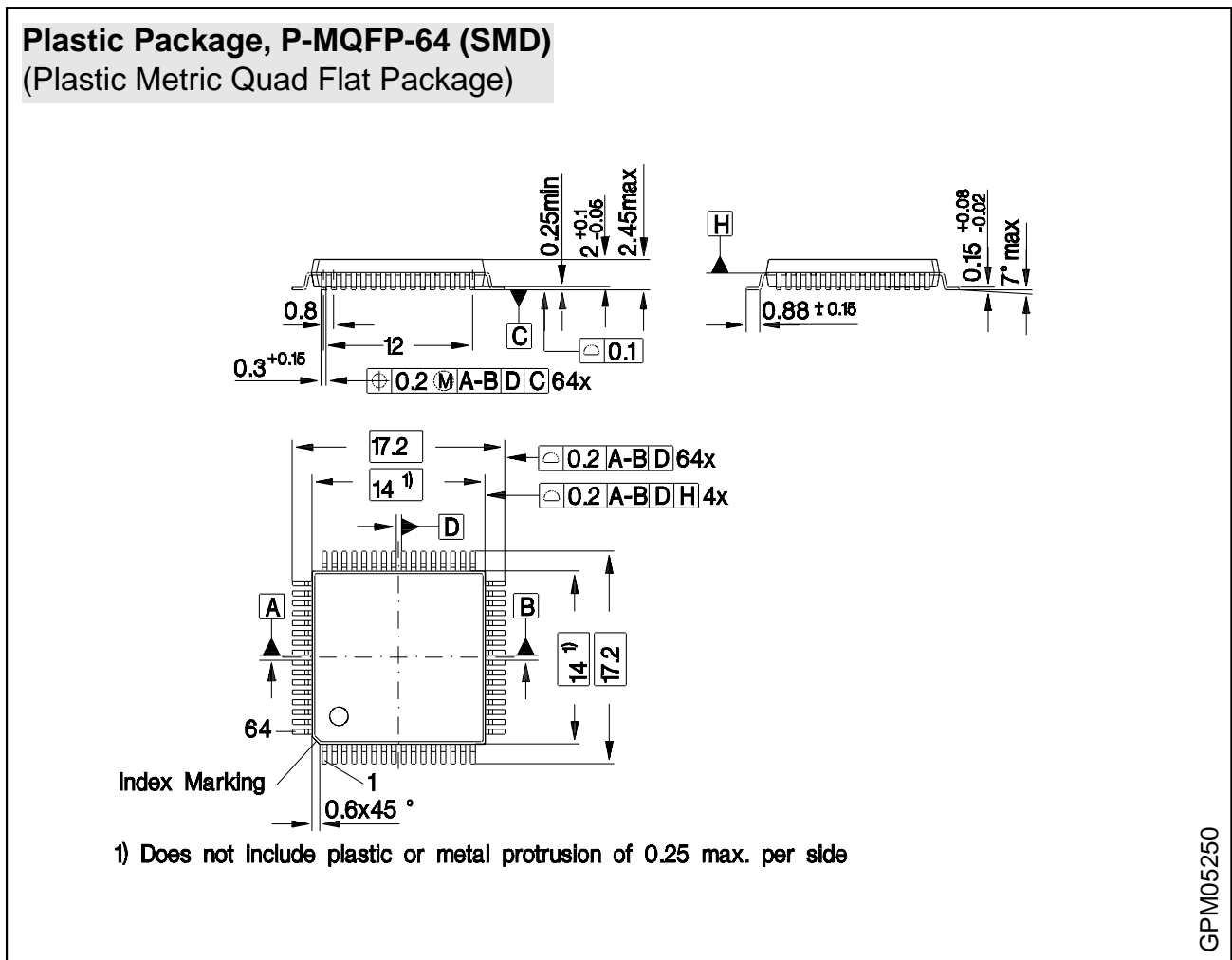


Figure 38

13 Package Outlines



Sorts of Packing

Package outlines for tubes, trays etc. are contained in our Data Book "Package Information"

SMD = Surface Mounted Device

Dimensions in mm